

DENON

VIDEO PROCESSOR

DVP-602CI

Owner's Manual

GUI *Graphical User Interface*

Use this manual in combination with the operating guide displayed on the GUI screen.

GUI Menu Operation (☞ page 15)

GUI Menu Map (☞ page 16)

Language (☞ page 21)

SAFETY PRECAUTIONS

CAUTION
RISK OF ELECTRIC SHOCK
DO NOT OPEN

CAUTION:
TO REDUCE THE RISK OF ELECTRIC SHOCK, DO NOT REMOVE COVER (OR BACK). NO USER-SERVICEABLE PARTS INSIDE. REFER SERVICING TO QUALIFIED SERVICE PERSONNEL.

The lightning flash with arrowhead symbol, within an equilateral triangle, is intended to alert the user to the presence of uninsulated "dangerous voltage" within the product's enclosure that may be of sufficient magnitude to constitute a risk of electric shock to persons.

The exclamation point within an equilateral triangle is intended to alert the user to the presence of important operating and maintenance (servicing) instructions in the literature accompanying the appliance.

WARNING:
TO REDUCE THE RISK OF FIRE OR ELECTRIC SHOCK, DO NOT EXPOSE THIS APPLIANCE TO RAIN OR MOISTURE.

CAUTION:
 To completely disconnect this product from the mains, disconnect the plug from the wall socket outlet.
 The mains plug is used to completely interrupt the power supply to the unit and must be within easy access by the user.

VORSICHT:
 Um dieses Gerät vollständig von der Stromversorgung abzutrennen, ziehen Sie bitte den Stecker aus der Wandsteckdose.
 Der Netzstecker wird verwendet, um die Stromversorgung zum Gerät völlig zu unterbrechen; er muss für den Benutzer gut und einfach zu erreichen sein.

For European model

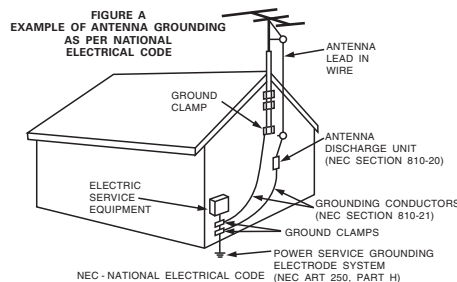
• **DECLARATION OF CONFORMITY**
 We declare under our sole responsibility that this product, to which this declaration relates, is in conformity with the following standards: EN60065, EN55013, EN55020, EN61000-3-2 and EN61000-3-3. Following the provisions of 2006/95/EC and 2004/108/EC Directive.

• **ÜBEREINSTIMMUNGSERKLÄRUNG**
 Wir erklären unter unserer Verantwortung, daß dieses Produkt, auf das sich diese Erklärung bezieht, den folgenden Standards entspricht: EN60065, EN55013, EN55020, EN61000-3-2 und EN61000-3-3. Entspricht den Verordnungen der Direktive 2006/95/EC und 2004/108/EC.

DENON EUROPE
 Division of D&M Germany GmbH
 An der Landwehr 19, Nettetal,
 D-41334 Germany

SAFETY INSTRUCTIONS

1. Read Instructions – All the safety and operating instructions should be read before the product is operated.
2. Retain Instructions – The safety and operating instructions should be retained for future reference.
3. Heed Warnings – All warnings on the product and in the operating instructions should be adhered to.
4. Follow Instructions – All operating and use instructions should be followed.
5. Cleaning – Unplug this product from the wall outlet before cleaning. Do not use liquid cleaners or aerosol cleaners.
6. Attachments – Do not use attachments not recommended by the product manufacturer as they may cause hazards.
7. Water and Moisture – Do not use this product near water – for example, near a bath tub, wash bowl, kitchen sink, or laundry tub; in a wet basement; or near a swimming pool; and the like.
8. Accessories – Do not place this product on an unstable cart, stand, tripod, bracket, or table. The product may fall, causing serious injury to a child or adult, and serious damage to the product. Use only with a cart, stand, tripod, bracket, or table recommended by the manufacturer, or sold with the product. Any mounting of the product should follow the manufacturer's instructions, and should use a mounting accessory recommended by the manufacturer.
9. A product and cart combination should be moved with care. Quick stops, excessive force, and uneven surfaces may cause the product and cart combination to overturn.
10. Ventilation – Slots and openings in the cabinet are provided for ventilation and to ensure reliable operation of the product and to protect it from overheating, and these openings must not be blocked or covered. The openings should never be blocked by placing the product on a bed, sofa, rug, or other similar surface. This product should not be placed in a built-in installation such as a bookcase or rack unless proper ventilation is provided or the manufacturer's instructions have been adhered to.
11. Power Sources – This product should be operated only from the type of power source indicated on the marking label. If you are not sure of the type of power supply to your home, consult your product dealer or local power company. For products intended to operate from battery power, or other sources, refer to the operating instructions.
12. Grounding or Polarization – This product may be equipped with a polarized alternating-current line plug (a plug having one blade wider than the other). This plug will fit into the power outlet only one way. This is a safety feature. If you are unable to insert the plug fully into the outlet, try reversing the plug. If the plug should still fail to fit, contact your electrician to replace your obsolete outlet. Do not defeat the safety purpose of the polarized plug.
13. Power-Cord Protection – Power-supply cords should be routed so that they are not likely to be walked on or pinched by items placed upon or against them, paying particular attention to cords at plugs, convenience receptacles, and the point where they exit from the product.
15. Outdoor Antenna Grounding – If an outside antenna or cable system is connected to the product, be sure the antenna or cable system is grounded so as to provide some protection against voltage surges and built-up static charges. Article 810 of the National Electrical Code, ANSI/NFPA 70, provides information with regard to proper grounding of the mast and supporting structure, grounding of the lead-in wire to an antenna discharge unit, size of grounding conductors, location of antenna-discharge unit, connection to grounding electrodes, and requirements for the grounding electrode. See Figure A.
16. Lightning – For added protection for this product during a lightning storm, or when it is left unattended and unused for long periods of time, unplug it from the wall outlet and disconnect the antenna or cable system. This will prevent damage to the product due to lightning and power-line surges.
17. Power Lines – An outside antenna system should not be located in the vicinity of overhead power lines or other electric light or power circuits, or where it can fall into such power lines or circuits. When installing an outside antenna system, extreme care should be taken to keep from touching such power lines or circuits as contact with them might be fatal.
18. Overloading – Do not overload wall outlets, extension cords, or integral convenience receptacles as this can result in a risk of fire or electric shock.
19. Object and Liquid Entry – Never push objects of any kind into this product through openings as they may touch dangerous voltage points or short-out parts that could result in a fire or electric shock. Never spill liquid of any kind on the product.
20. Servicing – Do not attempt to service this product yourself as opening or removing covers may expose you to dangerous voltage or other hazards. Refer all servicing to qualified service personnel.
21. Damage Requiring Service – Unplug this product from the wall outlet and refer servicing to qualified service personnel under the following conditions:
 - a) When the power-supply cord or plug is damaged,
 - b) If liquid has been spilled, or objects have fallen into the product,
 - c) If the product has been exposed to rain or water,
 - d) If the product does not operate normally by following the operating instructions. Adjust only those controls that are covered by the operating instructions as an improper adjustment of other controls may result in damage and will often require extensive work by a qualified technician to restore the product to its normal operation,
 - e) If the product has been dropped or damaged in any way, and
 - f) When the product exhibits a distinct change in performance – this indicates a need for service.
22. Replacement Parts – When replacement parts are required, be sure the service technician has used replacement parts specified by the manufacturer or have the same characteristics as the original part. Unauthorized substitutions may result in fire, electric shock, or other hazards.
23. Safety Check – Upon completion of any service or repairs to this product, ask the service technician to perform safety checks to determine that the product is in proper operating condition.
24. Wall or Ceiling Mounting – The product should be mounted to a wall or ceiling only as recommended by the manufacturer.
25. Heat – The product should be situated away from heat sources such as radiators, heat registers, stoves, or other products (including amplifiers) that produce heat.



FCC INFORMATION (For US customers)

1. COMPLIANCE INFORMATION

Product Name: VIDEO PROCESSOR
Model Number: DVP-602CI

This product complies with Part 15 of the FCC Rules. Operation is subject to the following two conditions: (1) this product may not cause harmful interference, and (2) this product must accept any interference received, including interference that may cause undesired operation.

Denon Electronics (USA), LLC
(a D & M Holdings Company)

100 Corporate Drive
Mahwah, NJ 07430-2041
Tel. (800) 497-8921

2. IMPORTANT NOTICE: DO NOT MODIFY THIS PRODUCT

This product, when installed as indicated in the instructions contained in this manual, meets FCC requirements. Modification not expressly approved by DENON may void your authority, granted by the FCC, to use the product.

3. NOTE

This product has been tested and found to comply with the limits for a Class B digital device, pursuant to Part 15 of the FCC Rules. These limits are designed to provide reasonable protection against harmful interference in a residential installation.

This product generates, uses and can radiate radio frequency energy and, if not installed and used in accordance with the instructions, may cause harmful interference to radio communications. However, there is no guarantee that interference will not occur in a particular installation. If this product does cause harmful interference to radio or television reception, which can be determined by turning the product OFF and ON, the user is encouraged to try to correct the interference by one or more of the following measures:

- Reorient or relocate the receiving antenna.
- Increase the separation between the equipment and receiver.
- Connect the product into an outlet on a circuit different from that to which the receiver is connected.
- Consult the local retailer authorized to distribute this type of product or an experienced radio/TV technician for help.

This Class B digital apparatus complies with Canadian ICES-003.
Cet appareil numérique de la classe B est conforme à la norme NMB-003 du Canada.

A NOTE ABOUT RECYCLING:

This product's packaging materials are recyclable and can be reused. Please dispose of any materials in accordance with the local recycling regulations.

When discarding the unit, comply with local rules or regulations.

Batteries should never be thrown away or incinerated but disposed of in accordance with the local regulations concerning battery disposal.

This product and the supplied accessories, excluding the batteries, constitute the applicable product according to the WEEE directive.



HINWEIS ZUM RECYCLING:

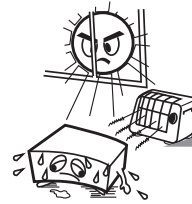
Das Verpackungsmaterial dieses Produktes ist zum Recyceln geeignet und kann wieder verwendet werden. Bitte entsorgen Sie alle Materialien entsprechend der örtlichen Recycling-Vorschriften.

Beachten Sie bei der Entsorgung des Gerätes die örtlichen Vorschriften und Bestimmungen.

Die Batterien dürfen nicht in den Hausmüll geworfen oder verbrannt werden; bitte entsorgen Sie die Batterien gemäß der örtlichen Vorschriften.

Dieses Produkt und das im Lieferumfang enthaltene Zubehör (mit Ausnahme der Batterien!) entsprechen der WEEE-Direktive.

NOTE ON USE / HINWEISE ZUM GEBRAUCH



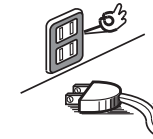
- Avoid high temperatures. Allow for sufficient heat dispersion when installed in a rack.
- Vermeiden Sie hohe Temperaturen. Beachten Sie, dass eine ausreichende Belüftung gewährleistet wird, wenn das Gerät auf ein Regal gestellt wird.



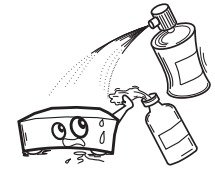
- Keep the unit free from moisture, water, and dust.
- Halten Sie das Gerät von Feuchtigkeit, Wasser und Staub fern.



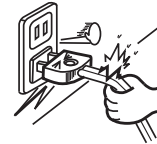
- Do not let foreign objects into the unit.
- Lassen Sie keine fremden Gegenstände in das Gerät kommen.



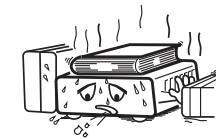
- Unplug the power cord when not using the unit for long periods of time.
- Wenn das Gerät längere Zeit nicht verwendet werden soll, trennen Sie das Netzkabel vom Netzstecker.



- Do not let insecticides, benzene, and thinner come in contact with the unit.
- Lassen Sie das Gerät nicht mit Insektiziden, Benzin oder Verdünnungsmitteln in Berührung kommen.

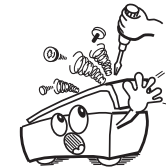


- Handle the power cord carefully. Hold the plug when unplugging the cord.
- Gehen Sie vorsichtig mit dem Netzkabel um. Halten Sie das Kabel am Stecker, wenn Sie den Stecker herausziehen.



* (For apparatuses with ventilation holes)

- Do not obstruct the ventilation holes.
- Decken Sie den Lüftungsbereich nicht ab.



- Never disassemble or modify the unit in any way.
- Versuchen Sie niemals das Gerät auseinander zu nehmen oder zu verändern.

CAUTION:

- The ventilation should not be impeded by covering the ventilation openings with items, such as newspapers, tablecloths, curtains, etc.
- No naked flame sources, such as lighted candles, should be placed on the unit.
- Observe and follow local regulations regarding battery disposal.
- Do not expose the unit to dripping or splashing fluids.
- Do not place objects filled with liquids, such as vases, on the unit.

ACHTUNG:

- Die Belüftung sollte auf keinen Fall durch das Abdecken der Belüftungsöffnungen durch Gegenstände wie beispielsweise Zeitungen, Tischtücher, Vorhänge o. Ä. behindert werden.
- Auf dem Gerät sollten keinerlei direkte Feuerquellen wie beispielsweise angezündete Kerzen aufgestellt werden.
- Bitte beachten Sie bei der Entsorgung der Batterien die örtlich geltenden Umweltbestimmungen.
- Das Gerät sollte keiner tropfenden oder spritzenden Flüssigkeit ausgesetzt werden.
- Auf dem Gerät sollten keine mit Flüssigkeit gefüllten Behälter wie beispielsweise Vasen aufgestellt werden.

Contents

Getting Started

Accessories 2
Cautions on Handling 2
Cautions on Installation 2
About the Remote Control Unit 3
 Inserting the Batteries 3
 Operating Range of the Remote Control Unit 3
Part Names and Functions 4
 Front Panel 4
 Display 4
 Rear Panel 5
 Remote Control Unit 6

Connections

Preparations 7
 Cables Used for Connections 7
 Video Conversion Function 8
Connecting Equipment with HDMI connectors 9
 Connecting an HDMI-compatible player 9
 Connecting an DVI-compatible player 10
 Connecting Equipment with COMPONENT connectors 11
 Connecting Equipment with VIDEO / S-VIDEO connectors 12
Connections to Other Devices 13
 Network 13
 External Controller 14
Connecting the Power Cord 14
Once Connections are Completed 14

GUI Menu Operations

Example of the Display of the GUI Mark at a Title 15
Example of Display of Default Values 15
Examples of GUI Screen Displays 15
 Example: Browse Menu (Top Menu) 15
 Cursor Position Display 15
Operations 15
GUI Menu Map 16

Setup

HDMI Setup 17
1 Color Space 17
2 RGB Range 17
3 Vertical Stretch 17
4 Auto Lip Sync 17
5 Monitor Out 17
Network Setup 18
1 Network Setup 18, 19
2 Power Saving 19
3 Network Information 19
Option Setup 19
1 Source Delete 19
2 GUI 19, 20
3 Trigger Out 20
4 Dimmer 20
5 Setup Lock 20
6 Maintenance Mode 20
7 Firmware Update 20
8 Add New Feature 21
Language 21

Source Select

Input Source Selection 21
Settings Related to Playing Input Sources 22
1 Video Setup 22
2 Optical 22
3 Rename 22

Parameter

Audio 23
 Audio Delay 23
Picture Adjust 23
1 Contrast 23
2 Brightness 23
3 Chroma Level 23
4 Hue 23
5 DNR 23
6 Enhancer 23
7 Sharpness 23

Information

Status 24
HDMI Information 24
1 Signal Information 24
2 Monitor 1 24
3 Monitor 2 24

Playback

Preparations 24
 Turning the Power On 24
Playing Video and Audio Equipment 24
 Basic Operation 24
Operating the DVP-602CI Using a Browser (Web control) 25, 26

Other Operations and Functions

Personal Memory Plus Function 26
Last Function Memory 26
Backup Memory 26
Resetting the Microprocessor 26
Resetting the remote control unit 26

Other Information

..... 27
Troubleshooting 28

Specifications

..... 29

Getting Started

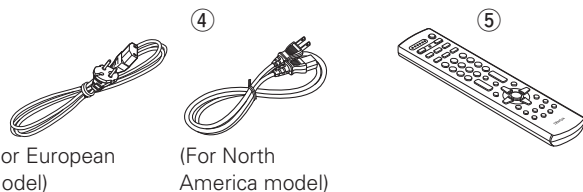
Thank you for purchasing this DENON product. To ensure proper operation, please read these owner's manual carefully before using the product.

After reading them, be sure to keep them for future reference.

Accessories

Check that the following parts are supplied with the product.

- ① Owner's manual 1
- ② Warranty (for North America model only) 1
- ③ Service station list 1
- ④ Power cord (Cord length: Approx. 7-31/64 ft / 1.9 m) 1
- ⑤ Remote control (RC-1093) 1
- ⑥ R03/AAA batteries 2

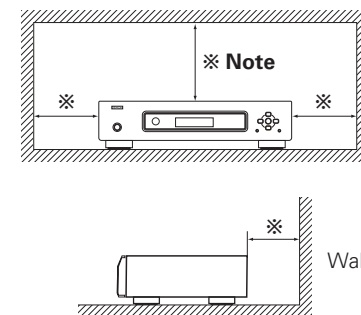


Cautions on Handling

- **Before turning the ON/STANDBY switch on**
Check once again that all connections are correct and that there are no problems with the connection cables.
- Power is supplied to some of the circuitry even when the unit is set to the standby mode. When traveling or leaving home for long periods of time, be sure to unplug the power cord from the power outlet.
- **About condensation**
If there is a major difference in temperature between the inside of the unit and the surroundings, condensation (dew) may form on the operating parts inside the unit, causing the unit not to operate properly.
If this happens, let the unit sit for an hour or two with the power turned off and wait until there is little difference in temperature before using the unit.
- **Cautions on using mobile phones**
Using a mobile phone near this unit may result in noise. If so, move the mobile phone away from this unit when it is in use.
- **Moving the unit**
Turn off the power and unplug the power cord from the power outlet.
Next, disconnect the connection cables to other system units before moving the unit.
- Note that the illustrations in these instructions may differ from the actual unit for explanation purposes.

Cautions on Installation

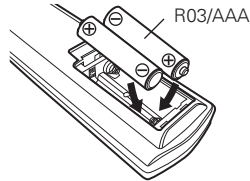
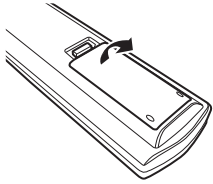
Note:
For proper heat dispersal, do not install this unit in a confined space, such as a bookcase or similar enclosure.



About the Remote Control Unit

Inserting the Batteries

- ① Lift the clasp and remove the rear lid.
- ② Load the two batteries properly as indicated by the marks in the battery compartment.



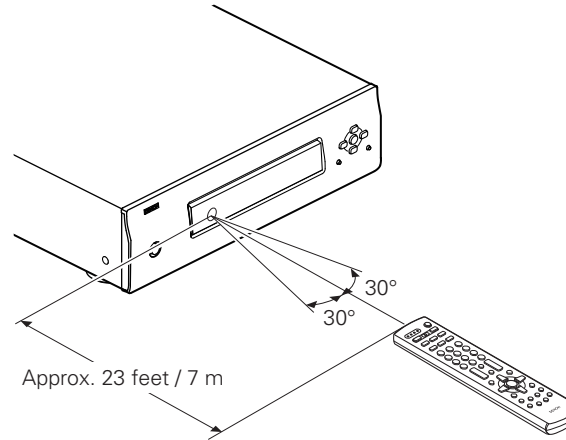
- ③ Put the rear cover back on.

NOTE

- Replace the batteries with new ones if the set does not operate even when the remote control unit is operated close to the unit.
- The supplied batteries are only for verifying operation.
- When inserting the batteries, be sure to do so in the proper direction, following the “+” and “-” marks in the battery compartment.
- To prevent damage or leakage of battery fluid:
 - Do not use a new battery together with an old one.
 - Do not use two different types of batteries.
 - Do not attempt to charge dry batteries.
 - Do not short-circuit, disassemble, heat or dispose of batteries in flames.
- If the battery fluid should leak, carefully wipe the fluid off the inside of the battery compartment and insert new batteries.
- Remove the batteries from the remote control unit if it will not be in use for long periods.
- When replacing the batteries, have the new batteries ready and insert them as quickly as possible.

Operating Range of the Remote Control Unit

Point the remote control unit at the remote sensor when operating it.



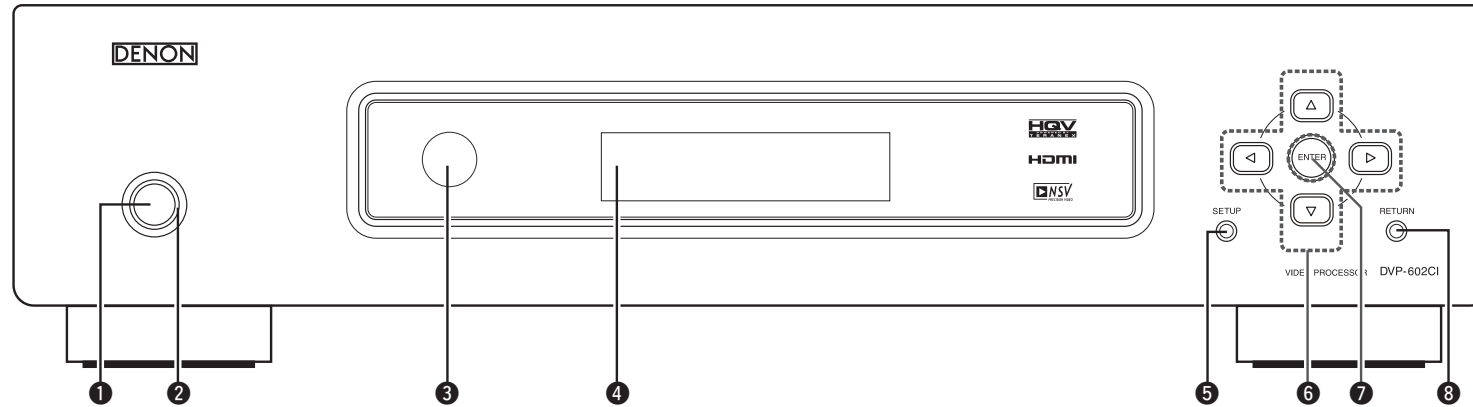
NOTE

The set may function improperly or the remote control unit may not operate if the remote control sensor is exposed to direct sunlight, strong artificial light from an inverter type fluorescent lamp or infrared light.

Part Names and Functions

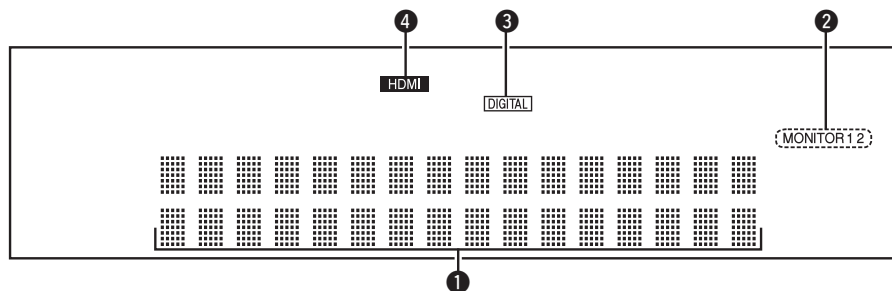
For buttons not explained here, see the page indicated in parentheses ().

Front Panel



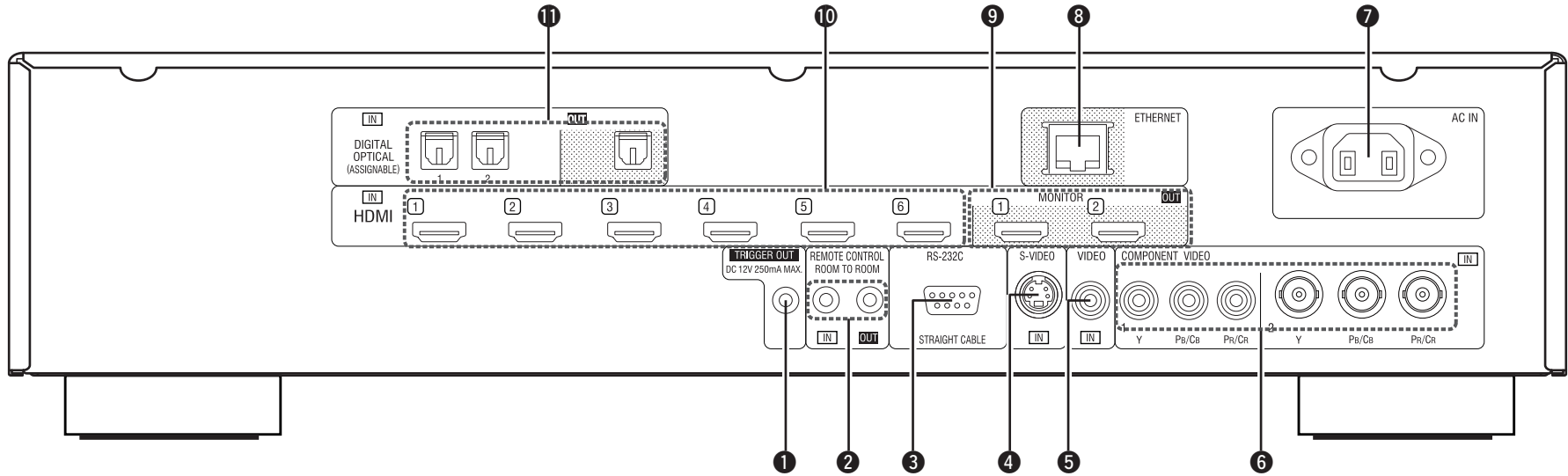
- ① Power operation button (ON/STANDBY) (24)
- ② Power indicator (24)
- ③ Remote control sensor (3)
- ④ Display
- ⑤ SETUP button (15)
- ⑥ Cursor buttons (△▽◀▶) (15)
- ⑦ ENTER button (15)
- ⑧ RETURN button (15)

Display



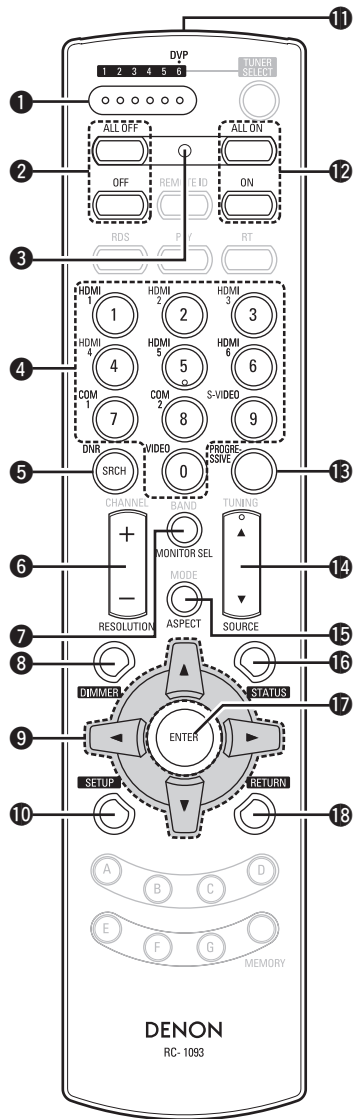
- ① **Information display**
The input source name, setting values and other information are displayed here.
- ② **Monitor output indicators**
These light according to the HDMI monitor output setting. When set to "Auto (Dual)", the indicators light according to the connection status.
- ③ **DIGITAL input indicator**
This indicator lights up when OPTICAL input has been selected.
- ④ **HDMI indicator**
This indicator lights up when HDMI signals are being input.

Rear Panel



- ❶ TRIGGER OUT jack(14)
- ❷ REMOTE CONTROL jacks(14)
- ❸ RS-232C connector(14)
- ❹ S-VIDEO connector(12)
- ❺ VIDEO connector(12)
- ❻ COMPONENT VIDEO connectors(11)
- ❼ ETHERNET connector(13)
- ❽ HDMI MONITOR OUT / OUTPUT connectors(9 ~ 12)
- ❾ HDMI IN connectors(9, 10)
- ❿ Digital audio connectors (OPTICAL)(10 ~ 12)

Remote Control Unit



- 1 Transmission indicator lights (26)
- 2 Power off buttons (ALL OFF, OFF) (24, 26)
- 3 Advanced Setup button (26)
- 4 Direct source select buttons (21)
- 5 DNR button (23)
- 6 RESOLUTION buttons (22)
- 7 Monitor select button (MONITOR SEL) (17)
- 8 DIMMER button (20)
- 9 Cursor buttons (Δ ∇ \triangleleft \triangleright) (15)
- 10 SETUP button (15)
- 11 Remote control signal transmitter (3)
- 12 Power on buttons (ALL ON, ON) (24, 26)
- 13 Progressive mode button (PROGRESSIVE) (22)
- 14 Source select buttons (SOURCE) (19, 21)
- 15 ASPECT button (22)
- 16 STATUS button (24)
- 17 ENTER button (15)
- 18 RETURN button (15)

NOTE

The **TUNER SELECT**, **REMOTE ID**, **RDS**, **PTY**, **RT**, **A ~ G** and **MEMORY** buttons cannot be used.

Connections

Connections for all compatible audio and video signal formats are described in this owner's manual. Please select the types of connections suited for the equipment you are connecting. With some types of connections, certain settings must be made on the DVP-602CI. For details, refer to the instructions for the respective connection items below.

























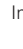









NOTE

- Do not plug in the power cord until all connections have been completed.
- When making connections, also refer to the operating instructions of the other components.
- Do not bundle power cords together with connection cables. Doing so can result in humming or noise.

Preparations

Cables Used for Connections

Select the cables according to the equipment being connected.

Audio cables	Video cables
<p>Optical digital connections</p>  <p>Optical cable</p>	<p>Component video connections</p> <p>(Green)    (Y)</p> <p>(Blue)    (PB/CB)</p> <p>(Red)    (PR/CR)</p> <p>Component video cable</p>
<p>Audio and video cables</p>	<p>(Green)    (Y)</p> <p>(Blue)    (PB/CB)</p> <p>(Red)    (PR/CR)</p> <p>BNC (75 Ω/ohms) cable</p>
<p>HDMI connections</p>  <p>19-pin HDMI cable</p>	<p>S-Video connections</p>  <p>S-Video cable</p>
<p>Signal direction</p> <p>Audio signal:</p> <p>Output  Input </p> <p>Video signal:</p> <p>Output  Input </p> <p>Input  Output  Input  Output </p>	<p>Video connections</p> <p>(Yellow)   </p> <p>75 Ω/ohms pin-plug video cable</p>
<p>Other cable</p>	<p>DVI-D HDMI cable</p>  <p>DVI-D HDMI cable</p>
<p>Network connections (wired LAN)</p>  <p>Ethernet cable</p>	

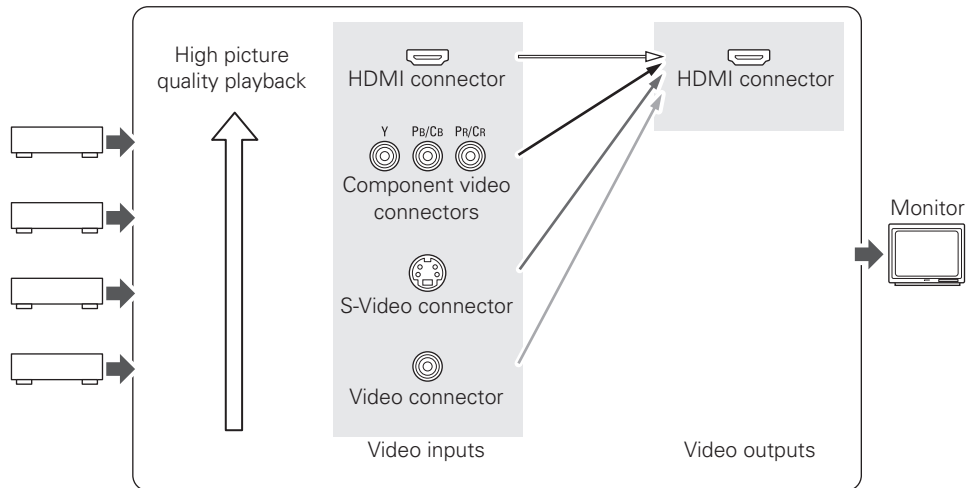
Video Conversion Function

- This function automatically converts various formats of video signals input to the DVP-602CI into the format used to output the video signals from the DVP-602CI to a monitor.
- The DVP-602CI's video input/output circuitry is compatible with the following four types of video signals:

Digital video signals: HDMI

Analog video signals: Component video, S-Video and Video

[Flow of video signals inside the DVP-602CI]



The resolution for the HDMI device connected to the monitor output terminal of the DVP-602CI can be checked by selecting "Information" – "HDMI Information" – "Monitor 1" and "Monitor 2" on the GUI menu (🖱️ page 24).

NOTE

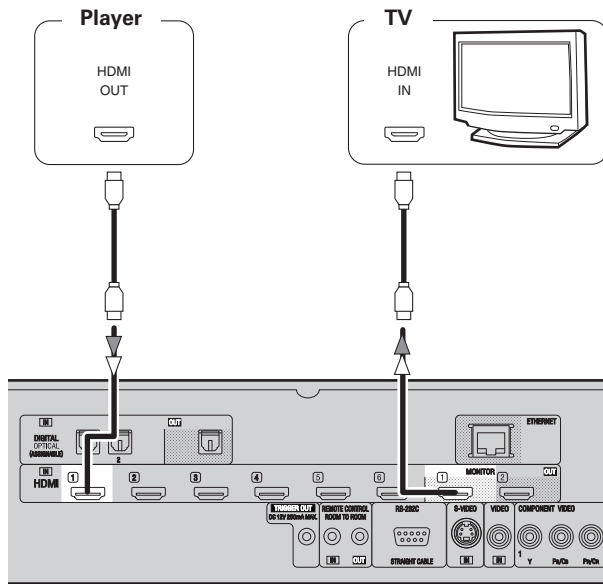
- When a non-standard video signal from a game machine or some other source is input, the video conversion function might not operate.
- Video conversion of 1080p component video input signals is not possible.

Connecting Equipment with HDMI connectors

With HDMI connections, the video and audio signals can be transferred with a single cable.

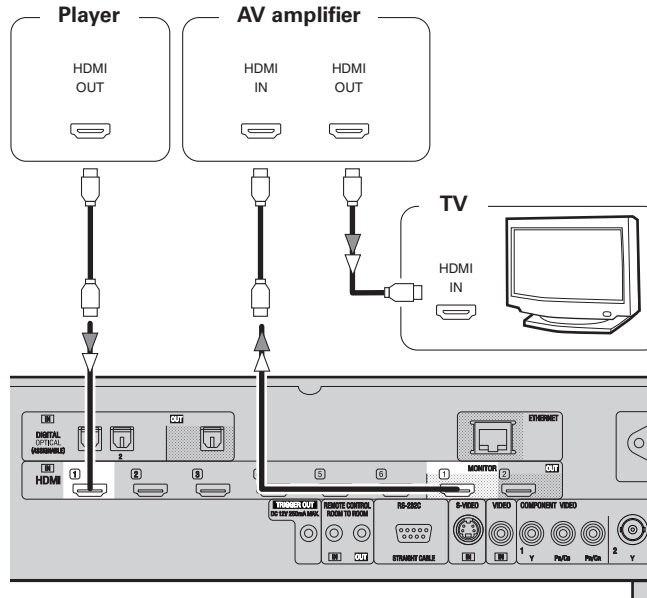
Connecting an HDMI-compatible player

Connecting a TV directly to the DVP-602CI



The DVP-602CI does not support the HDMI control (CEC) function. When using the HDMI control function with a device other than the DVP-602CI, connect an HDMI control-compatible device to the MONITOR 1 terminal.

Connecting a TV to the DVP-602CI via an AV amplifier



- ※ The DVP-602CI is supported to the feature of HDMI listed below.
- 30 and 36 bit Deep Color
 - x.v.Color *
 - Auto Lip Sync Correction
- * : "x.v.Color" is trademark of Sony Corporation

The DVP-602CI can transmit the following sound formats.

Compatible audio format	Details	Discs (examples)
2-channel linear PCM	2ch 32-192 kHz 16/20/24 bits	CD, DVD-Video, DVD-Audio
Multi-channel linear PCM	8ch 32-192 kHz 16/20/24 bits	DVD-Audio
Dolby Digital, DTS	Bitstream	DVD-Video
DSD	2/5.1ch 2.8224 MHz 1 bit	SACD
Dolby Digital Plus, Dolby TrueHD, DTS-HD	Bitstream	HD DVD, Blu-ray Disc

Audio playback is not possible with the DVP-602CI. There can be no sound output from the HDMI terminal when the "Resolution" under "Source Select" – "Video Setup" on the DVP-602CI GUI menu is set to 480p/576p, VGA, SVGA, XGA (page 22).

Copyright protection system (HDCP)

In order to play the digital video and audio signals of a DVD-Video or DVD-Audio disc using HDMI/DVI connections, both the connected DVD player and monitor must be equipped for a copyright protection system called "HDCP" (High-bandwidth Digital Content Protection). HDCP is a copy protection technology consisting of data encoding and mutual identification of the devices. The DVP-602CI is HDCP-compatible. For details on the DVD player or monitor you are using, refer to its operating instructions.

NOTE

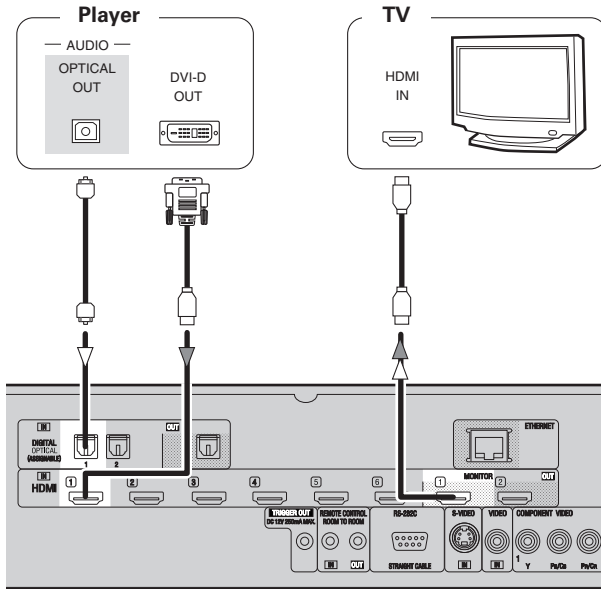
- Use a CPPM-compatible DVD player to play DVD-Audio discs that are copyright-protected by CPPM.
- The audio signals output from the HDMI connector (sampling frequency, bit rate, etc.) may be restricted by the connected device.
- Video signals are not output properly when using devices that are not HDCP-compatible.
- Video signals are not output if the input video signals do not match the monitor's resolution. In this case, switch the DVD player's resolution to a resolution with which the monitor is compatible.
- Use a cable on which the HDMI logo is indicated (a certified HDMI product) for connection to the HDMI connector. Normal playback may not be possible when using a cable other than one on which the HDMI logo is indicated (a non-HDMI-certified product).
- If the monitor or DVD player does not support deep color, deep color signal transfer is not possible.
- If the monitor or DVD player does not support x.v.Color, x.v.Color signal transfer is not possible.
- If the monitor does not support "Auto Lip Sync Correction" function, this function will not work.



Use a Deep Color compatible cable for connection to Deep Color compatible devices.

Connecting an DVI-compatible player

Connecting a TV directly to the DVP-602CI

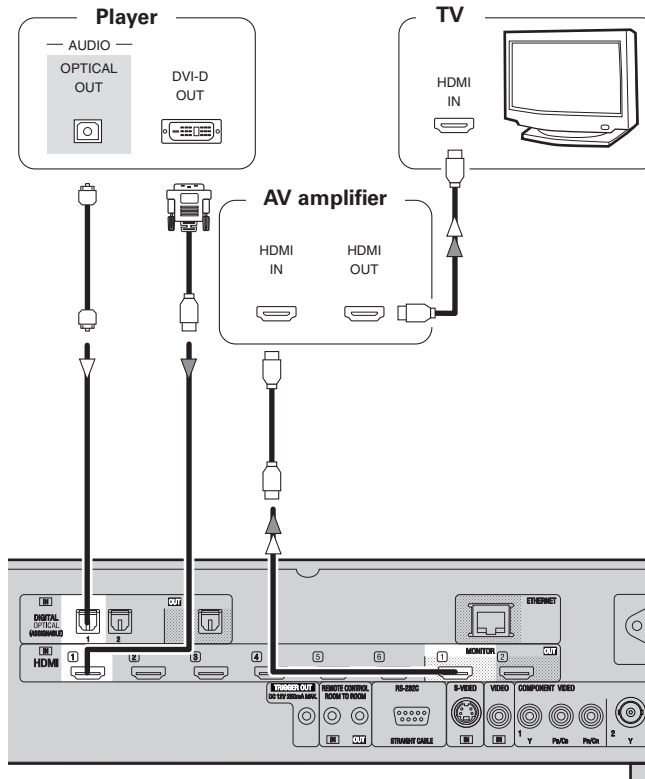


- Connect an HDMI connector 2 ~ 6 and OPTICAL 2 in the same way.
- When using an optical cable for the digital audio connection, make the settings at GUI menu "Source Select" – "Optical" (page 22).
- Output to the player's OPTICAL output terminal in a sound format supported by the TV.
If the TV's HDMI input does not support Dolby Digital and DTS, set the OPTICAL output of the player to "PCM".

When connecting with an HDMI/DVI converter cable (adapter)

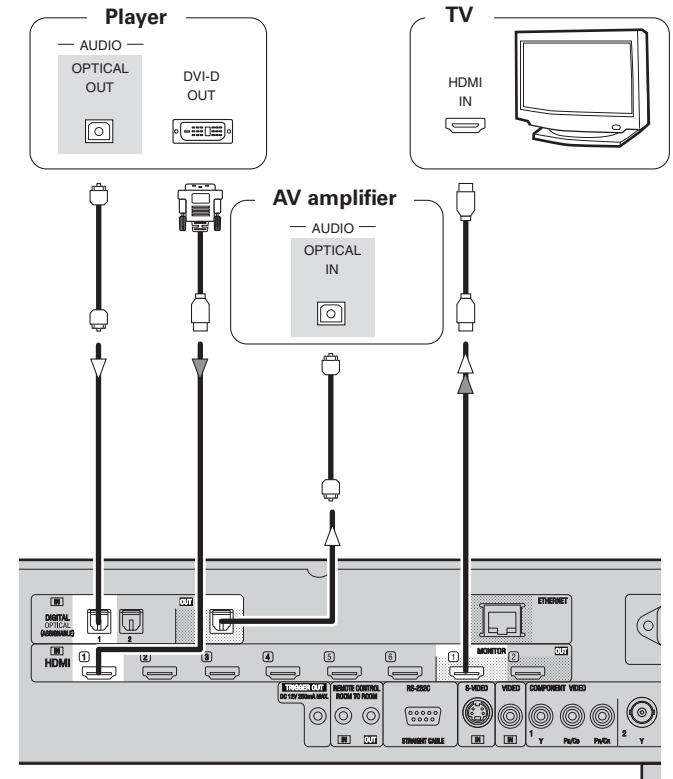
- HDMI video signals are theoretically compatible with the DVI format.
When connecting to a monitor, etc., equipped with a DVI-D connector, connection is possible using an HDMI/DVI converter cable, but depending on the combination of components in some cases the video signals will not be output.
- When connecting using an HDMI/DVI converter adapter, the video signals may not be output properly due to poor connections with the connected cable, etc.

Connecting a TV to the DVP-602CI via an AV amplifier



- If the connected monitor or DVD player only has a DVI-D connector, use an HDMI/DVI converter cable. When using a DVI cable, no audio signals are transmitted.
- There can be no sound output from the HDMI terminal when the "Resolution" under "Source Select" – "Video Setup" on the DVP-602CI GUI menu is set to 480p/576p, VGA, SVGA, XGA (page 22).

Connecting to a TV without passing through the AV amplifier

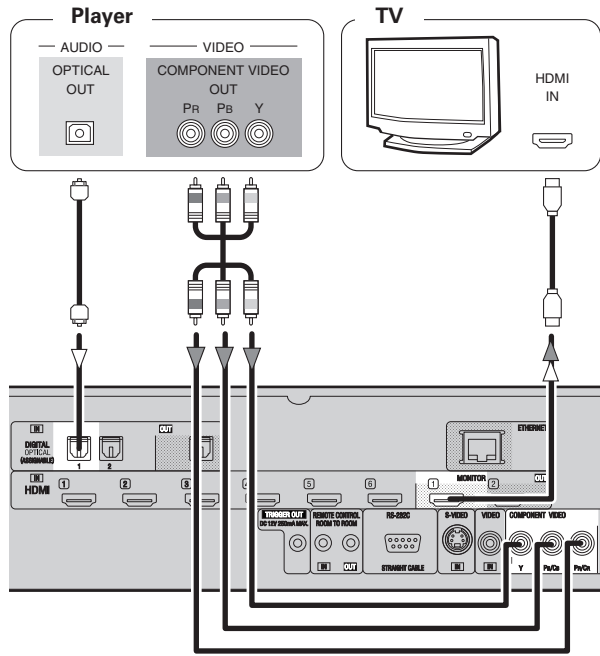


- Output to the player's OPTICAL output terminal in a sound format supported by the AV amplifier.

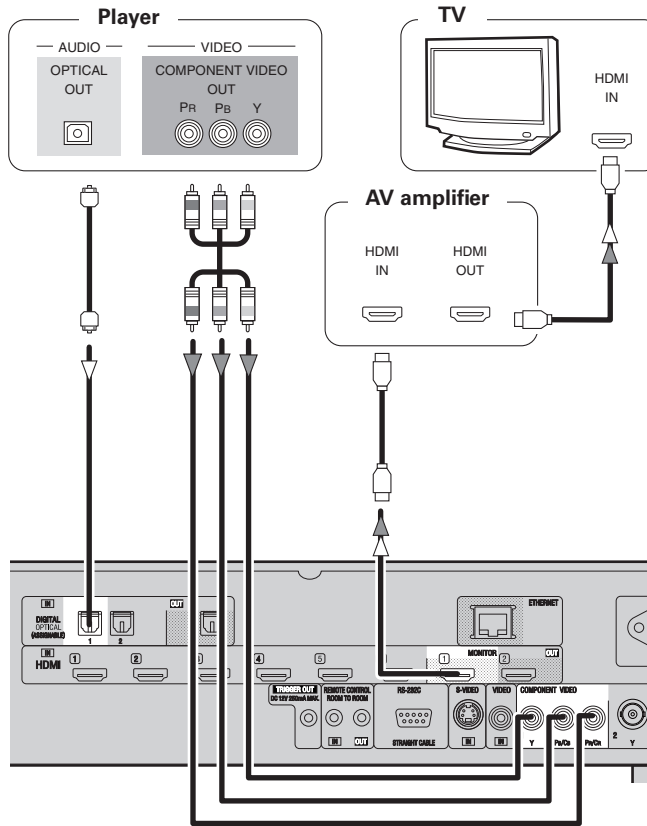
Connecting Equipment with COMPONENT connectors

Carefully check the inputs and outputs, and be sure to interconnect correctly.

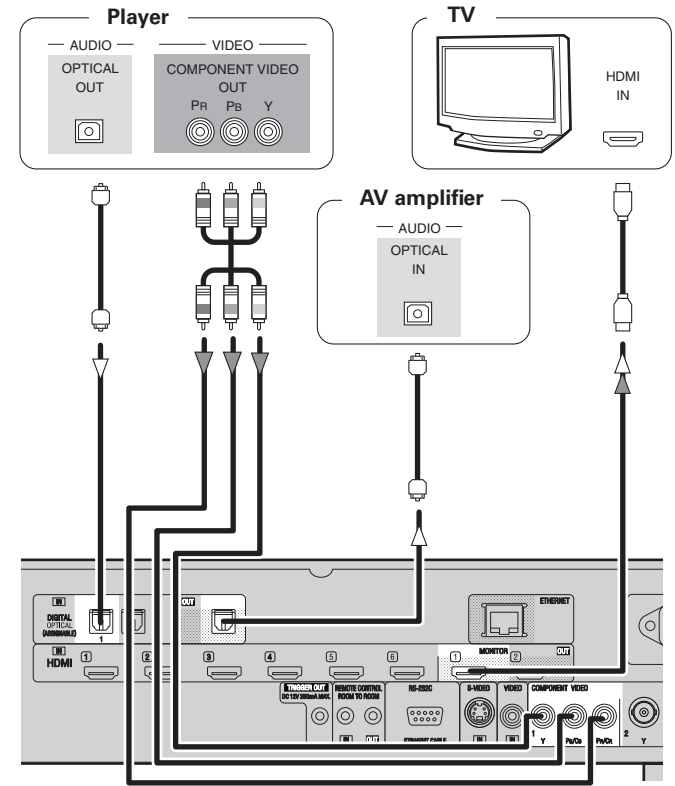
Connecting a TV directly to the DVP-602CI



Connecting a TV to the DVP-602CI via an AV amplifier



Connecting to a TV without passing through the AV amplifier



- Connect an OPTICAL 2 and COMPONENT VIDEO 2 in the same way.
- When using an optical cable for the digital audio connection, make the settings at GUI menu "Source Select" – "Optical" (page 22).
- Output to the player's OPTICAL output terminal in a sound format supported by the TV.
If the TV's HDMI input does not support Dolby Digital and DTS, set the OPTICAL output of the player to "PCM".

NOTE

Do not connect the output of the component connected to the DVP-602CI's OPTICAL output connector to any input connector other than OPTICAL.

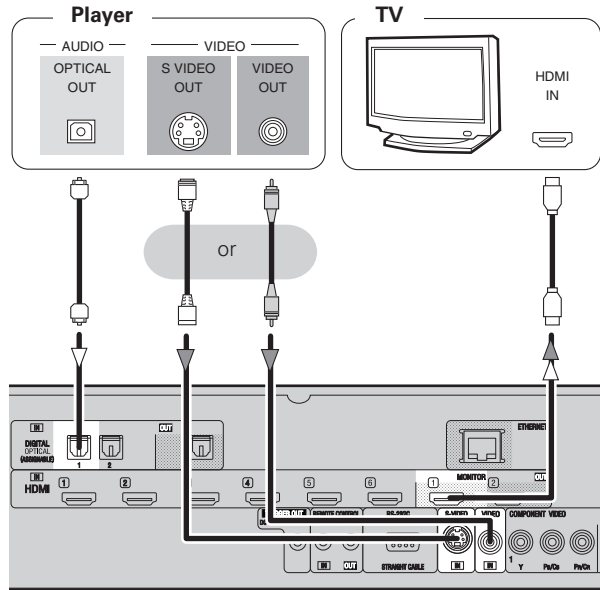


Output to the player's OPTICAL output terminal in a sound format supported by the AV amplifier.

Connecting Equipment with VIDEO / S-VIDEO connectors

Carefully check the inputs and outputs, and be sure to interconnect correctly.

Connecting a TV directly to the DVP-602CI

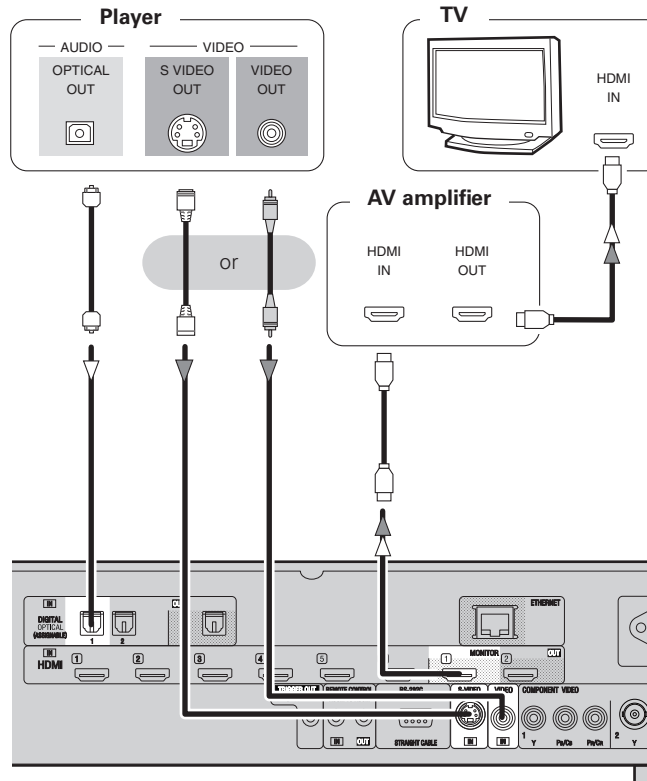


- Connect an OPTICAL 2 in the same way.
- When using an optical cable for the digital audio connection, make the settings at GUI menu "Source Select" – "Optical" (page 22).
- Output to the player's OPTICAL output terminal in a sound format supported by the TV.
If the TV's HDMI input does not support Dolby Digital and DTS, set the OPTICAL output of the player to "PCM".

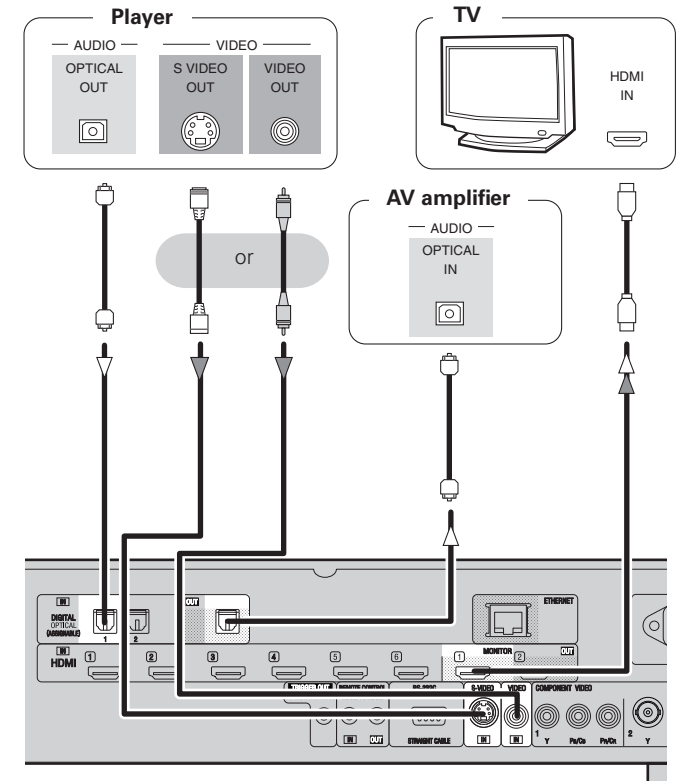
NOTE

Do not connect the output of the component connected to the DVP-602CI's OPTICAL output connector to any input connector other than OPTICAL.

Connecting a TV to the DVP-602CI via an AV amplifier



Connecting to a TV without passing through the AV amplifier



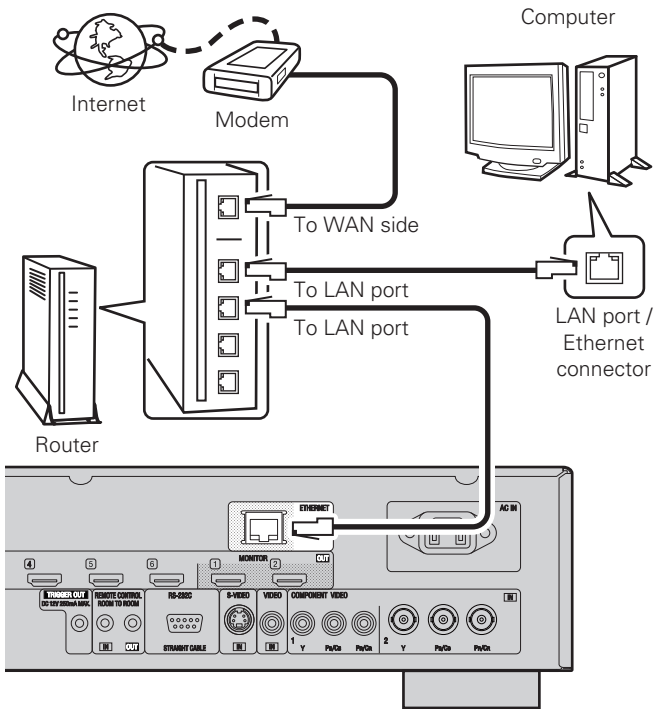
Output to the player's OPTICAL output terminal in a sound format supported by the AV amplifier.

Connections to Other Devices

Carefully check the inputs and outputs, and be sure to interconnect correctly.

Network

For firmware update and web control.



Required system

❑ Broadband Internet connection

A broadband line connection to the Internet is required in order to use the DVP-602CI's firmware update.

❑ Modem

This is a device that is connected to the broadband line to communicate with the Internet. Some are integrated with the router.

❑ Router

When using the DVP-602CI, we recommend you use a router equipped with the following functions:

- Built-in DHCP (Dynamic Host Configuration Protocol) server
This function automatically assigns IP addresses on the LAN.
- Built-in 100BASE-TX switch

When connecting multiple devices, we recommend a switching hub with a speed of 100 Mbps or greater.

❑ Ethernet cable (CAT-5 or greater recommended)

- The DVP-602CI does not come with an Ethernet cable.
- Some flat type Ethernet cables are easily affected by noise. We recommend using a normal type cable.
- If the sound is broken in an environment in which there is much power supply noise from electric products or in a noisy network environment, use a shielded type Ethernet cable (For America Canada model).
- For the Ethernet cable, used a shielded twisted pair (STP) cable. Do not use an unshielded twisted pair (UTP) cable, as it may exceed noise standard limits (For European model).

❑ Computer

A computer with the following specifications is required to use a web control:

- OS
Windows® XP Service Pack2, Windows Vista
- Internet browser
Microsoft Internet Explorer 5.01 or later
- LAN port
- 300 MB or more free disk space



For connections to the Internet, contact an ISP (Internet Service Provider) or a computer shop.

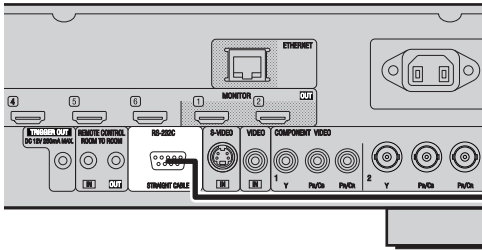
NOTE

- A contract with an ISP is required to connect to the Internet. No additional contract is needed if you already have a broadband connection to the Internet.
- The types of routers that can be used depend on the ISP. Contact an ISP or a computer shop for details.

❑ Others

- If you have an Internet provider contract for a line on which network settings are made manually, make the settings at GUI menu "Setup" – "Network Setup" (page 18, 19).
- With the DVP-602CI, it is possible to use the DHCP and Auto IP functions to make the network settings automatically.
- When using a broadband router (DHCP function), the DVP-602CI sets the IP address, etc., automatically.
When using the DVP-602CI connected to a network with no DHCP function, make the settings for the IP address, etc., at GUI menu "Setup" – "Network Setup" (page 18, 19).
- The DVP-602CI is not compatible with PPPoE. A PPPoE-compatible router is required if you have a contract for a line of the type with which the PPPoE is set.
- Depending on the ISP with which you have your contract, it may be necessary to make proxy server settings to use the Network function. If you made proxy server settings on the computer to connect to the Internet, make the proxy server settings on the DVP-602CI in the same way.

External Controller

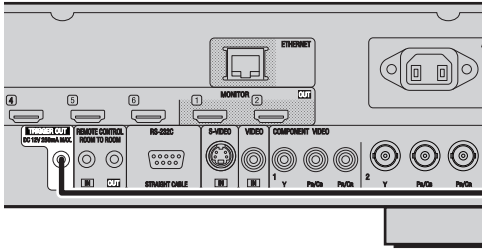


RS-232C connector

This connector is used for an external controller.

※ If you wish to control the DVP-602CI from an external controller using the RS-232C connector, perform the operation below beforehand.

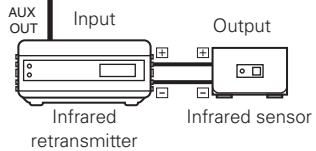
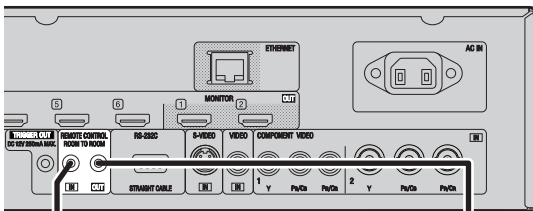
- ① Turn on the DVP-602CI's power.
- ② Turn off the DVP-602CI's power from the external controller.
- ③ Check that the DVP-602CI is in the standby mode.



Trigger output jack

The power of an external device equipped with a trigger input jack can be turned on and off in association with operations on the DVP-602CI. For details, see GUI menu "Setup" – "Option Setup" – "Trigger Out" (☞ page 20).

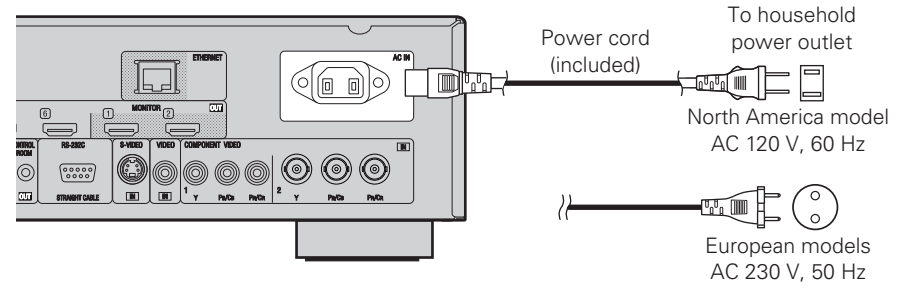
- Output level: 250 mA / 12 V
- Check the trigger input conditions of the connected device.



Extension jack for future use.

Connecting the Power Cord

Wait until all connections have been completed before connecting the power cord.



NOTE

Insert the AC plugs securely. Incomplete connections could cause noise.

Once Connections are Completed

Turning the Power On (☞ page 24)

GUI Menu Operations

With the DVP-602CI, settings and operations for most functions can be performed by operating while looking at the GUI menus displayed on the monitor screen.


When an x.v.Color signal or a 1080p component video signal and computer resolution (ex. VGA) have been input, the GUI screen cannot be superimposed.

Example of the Display of the GUI Mark at a Title

Items for which this mark is indicated at the title can be operated from the GUI. We recommend performing such operations from the GUI.

HDMI Setup

Make settings for HDMI video/audio output.



This is the GUI icon for this setting item or for the menu series to which this item belongs.

Example of Display of Default Values

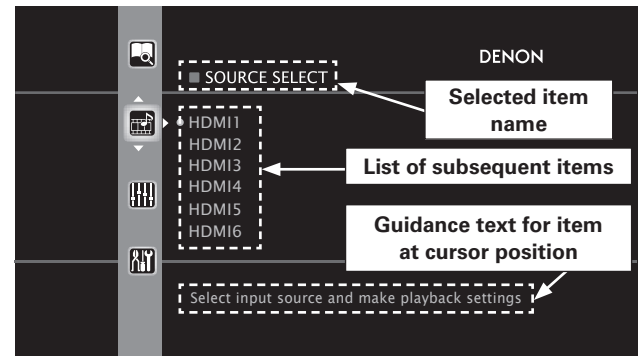
In lists of selectable items or adjustable ranges, the item surrounded by a border is the default value.

[Selectable items] **ON** OFF

Examples of GUI Screen Displays

Some typical examples are described below.

Example: Browse Menu (Top Menu)



Cursor Position Display

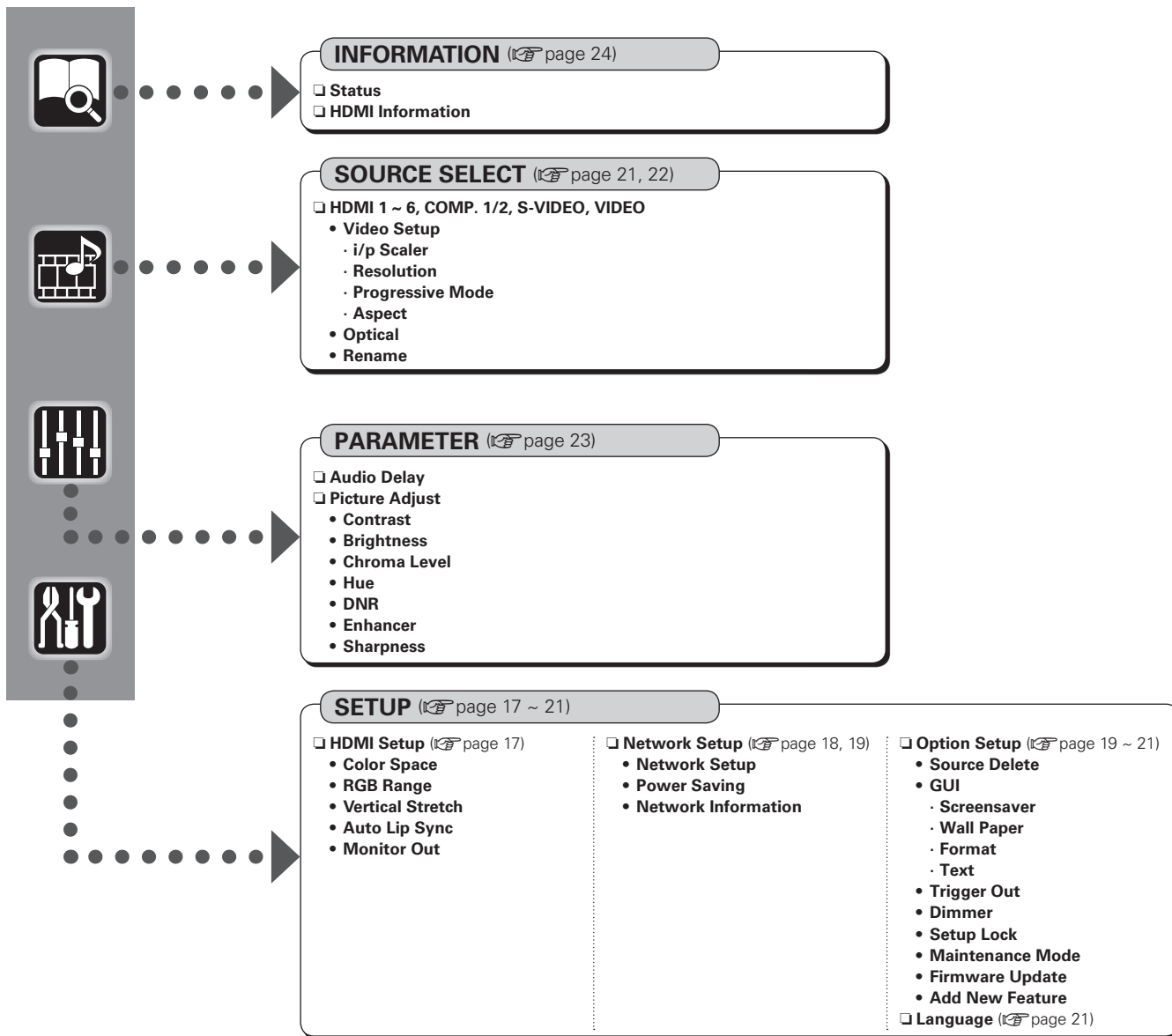
Icon

List

Operations

The same operation is possible on the main unit or remote control unit.

- 1** Press the **SETUP** button.
The GUI menu is displayed.
- 2** Press the **Δ ∇ ▷** button to select the menu to be set or operated.
※ To return to the previous item, press the **◀** or **RETURN** button.
- 3** Press the **ENTER** button to enter the setting.
- 4** Press the **SETUP** button to finish.



When "Screensaver" is set to "ON", the screensaver is activated if no operation is performed for about 3 minutes.

Setup



Make detail settings for various parameters.

HDMI Setup

Make settings for HDMI video/audio output.



Menu tree

Setup

HDMI Setup

1 Color Space

2 RGB Range

3 Vertical Stretch

4 Auto Lip Sync

5 Monitor Out

1 Color Space

Make settings for output color space.

[Selectable items] **YCbCr** RGB



When connected to a monitor with a DVI-D connector (HDCP compatible) using an HDMI/DVI converter cable, the signals are output in RGB format, regardless of this setting.

2 RGB Range

Make settings for RGB output range.

[Selectable items] **Normal** Enhanced



- When “YCbCr” is selected under “Color Space”, “RGB Range” will have no effect.
- The computer resolution output will be “Enhanced” irrespective of this setting.

3 Vertical Stretch

The image is displayed in full-screen.

[Selectable items] **ON** OFF

4 Auto Lip Sync

Automatic compensation for timing shift in audio and video output.

[Selectable items] **ON** OFF



Auto Lip Sync only works when connected to a TV which supports HDMI Lip Sync.

5 Monitor Out

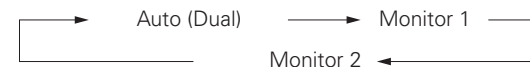
Make settings for HDMI monitor output.

[Selectable items] **Auto (Dual)** Monitor 1 Monitor 2

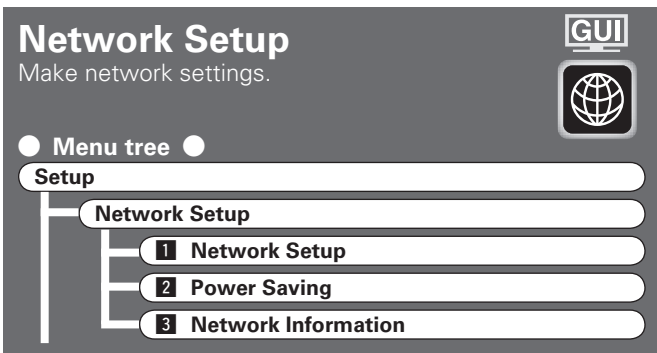


Operating from the remote control unit

Press the **MONITOR SEL** button.



- When “Monitor Out” is set to “Auto (Dual)”, connections with the MONITOR 1 or MONITOR 2 connectors are recognized automatically.
- If both the MONITOR 1 and 2 connectors are connected and “Resolution” is set to “Auto”, the signals are output with a resolution compatible with both monitors.
- If “Resolution” is set to something other than “Auto”, check the resolutions with which your monitor is compatible at GUI menu “Information” – “HDMI Information” – “Monitor 1” and “Monitor 2” and set accordingly (page 24).
- When “Monitor Out” is set to “Auto (Dual)”, and a not supported sound format is input to Monitor 1 and Monitor 2, the sound is not output from both terminals.
- The “Auto (Dual)” function may not operate normally depending on the device connected to the monitor output terminal. Under the circumstances, set either “Monitor 1” or “Monitor 2”.



- If you are using a broadband router (DHCP function), there is no need to make the settings at “Setting the IP Address” and “Setting the Proxy”, since the DHCP function is set to “ON” in the DVP-602CI’s default settings.
- If the DVP-602CI is being used connected to a network without the DHCP function, the network settings must be made. In this case, some knowledge of networks is required. For details, consult a network administrator.
- If you cannot connect to the Internet, recheck the connections and settings (page 13).
- If you do not understand about Internet connection, contact your ISP (Internet Service Provider) or the store from which you purchased your computer.



- **DHCP (Dynamic Host Configuration Protocol) :**
These are systems by which the IP address and other network settings are automatically set for the DVP-602CI, computer, broadband router and network devices.
- **DNS (Domain Name System) :**
This is a system for converting the domain names used when browsing Internet sites (for example, “www.denon.jp”) into the IP addresses actually used for communications (for example, “202.221.192.106”).

1 Network Setup

Wired LAN settings

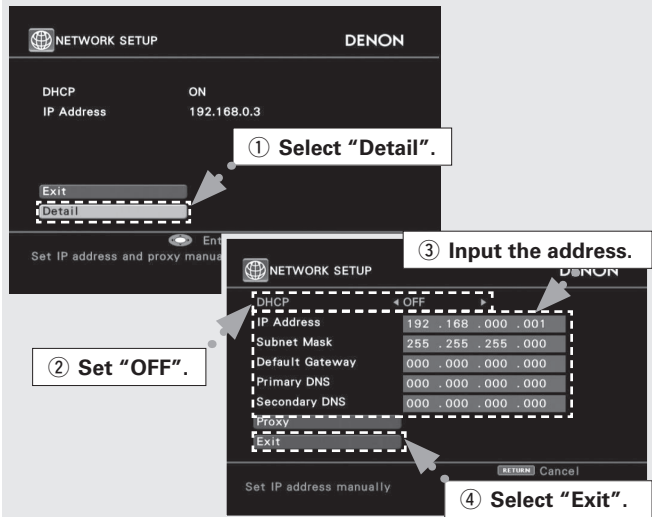
Use this procedure to configure the Wired LAN settings.

1 Connect the LAN cable (page 13).

2 Turn on the DVP-602CI (page 24).

DVP-602CI performs automatic network setup due to the DHCP function.
When connecting to a network that has no DHCP function, perform the setting in Operation 3.

3 Set the IP address at the GUI menu “Setup” – “Network Setup” – “Network Setup”.



- ① Select “Detail” and press the **ENTER** button.
- ② Use the < > button to set “DHCP” to “OFF”, then press the **▽** button.
The DHCP function is disabled.

- ③ Use the **△ ▽ ▷** button to input the address and press the **ENTER** button.

IP Address :

Set the IP address within the ranges shown below. The Network function cannot be used if other IP addresses are set.
CLASS A: 10.0.0.0 ~ 10.255.255.255
CLASS B: 172.16.0.0 ~ 172.31.255.255
CLASS C: 192.168.0.0 ~ 192.168.255.255

Subnet Mask :

When connecting an xDSL modem or terminal adapter directly to the DVP-602CI, input the subnet mask indicated in the documentation supplied by your provider. Normally input 255.255.255.0.

Default Gateway :

When connected to a gateway (router), input its IP address.

Primary DNS Secondary DNS :

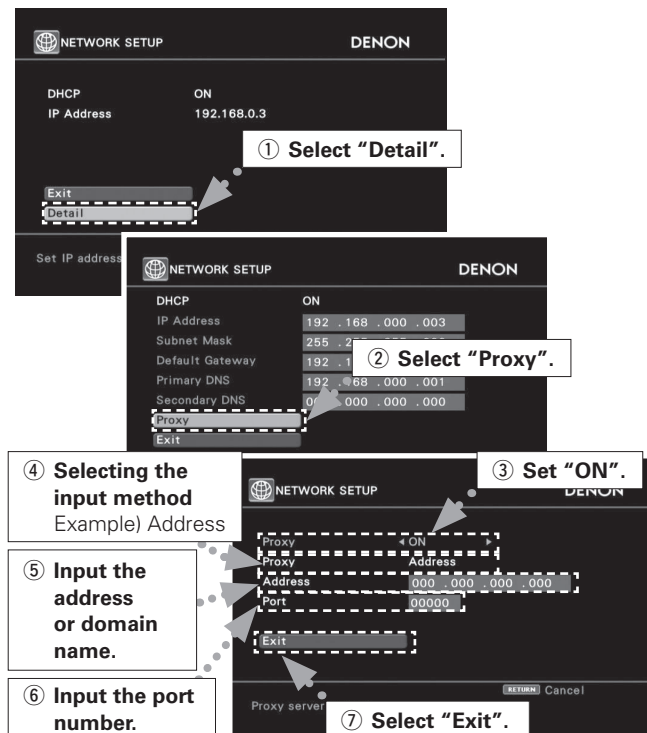
If there is only one DNS address indicated in the documentation supplied by your provider, input it at “Primary DNS”. If there are two or more DNS addresses, input the first one at “Secondary DNS”.

- ④ Use the **▽** button to select “Exit” and press the **ENTER** button.
Setup is complete.

※ When connecting to the network via a Proxy server, select “Proxy” and press the **ENTER** button (page 19 “Proxy settings”).

Proxy settings

Make this setting when connecting to the Internet via a proxy server.



- ① On the GUI menu, select "Setup" – "Network Setup" – "Network Setup" – "Detail" and press the **ENTER** button.
- ② Use the $\Delta \nabla$ button to set "Proxy" and press the **ENTER** button.
- ③ Use the $\triangleleft \triangleright$ button to set "Proxy" to "ON" and press the ∇ button.
The proxy server is enabled.
- ④ Use the $\triangleleft \triangleright$ button to select the proxy server input method, and then press the ∇ button.

[Selectable items]

Address : Select when inputting by address.

Name : Select when inputting by domain name.

[Characters that can be input]

A ~ Z **a ~ z** **0 ~ 9**

! # % & ' () * + , - . / : ; < = " > ? @ [\] (space)

- ⑤ Use the $\Delta \nabla \triangleright$ button to input the proxy server address or domain name and press the **ENTER** button.
When "Address" is selected in Operation ④ : Input the address
When "Name" is selected in Operation ④ : Input the domain name
- ⑥ Use the $\Delta \nabla \triangleleft \triangleright$ button to input the proxy server port number and press the **ENTER** button.
- ⑦ Use the ∇ button to select "Exit" and press the **ENTER** button.
Setup is complete.

2 Power Saving

Make setting for power saving when not connected to network.

[Selectable items] **ON** **OFF**

3 Network Information

Display network information.

[Items to be checked]

DHCP= ON or OFF **IP Address** **MAC Address**

Option Setup

Make various other settings.

● Menu tree ●

Setup

Option Setup

1 Source Delete

2 GUI

3 Trigger Out

4 Dimmer

5 Setup Lock

6 Maintenance Mode

7 Firmware Update

8 Add New Feature

1 Source Delete

Remove input sources that are not used from the display.

[Selectable items] **ON** **Delete**

NOTE

- Input sources being used in the various zones cannot be deleted.
- Input sources set to "Delete" cannot be selected from GUI menu "Source Select" or using the **SOURCE** button on the remote control unit.

2 GUI

Make GUI related settings.

Screensaver

Make screensaver settings.

Use the screensaver to prevent burn-in on the monitor screen.

When set to "ON", the screensaver is activated if there is no activity for about 3 minutes.

[Selectable items] **ON** **OFF**

Wall Paper

Change the GUI background.

[Selectable items] **Picture** **Black** **Gray** **Blue**

Format

Select the video output signal format to match the monitor.

[Selectable items]

NTSC **PAL** (for North America model)

PAL **NTSC** (for European model)

NOTE

When a format other than the video format of the connected monitor is set, the picture will not be displayed properly. Use the procedure described below to change the video format.

Operating from the main unit

※ The GUI menu is not displayed when performing this setting.

- ① Press and hold the **ENTER** and **RETURN** buttons for at least 3 seconds.
“Video Format” appears on the display.
- ② Use the ◀ ▶ button to make the setting.
- ③ Press the **ENTER**, **SETUP** or **RETURN** button to complete the setting.



```
*Video Format
< PAL >
```

Text

Text information display.

[Selectable items] **ON** **OFF**

3 Trigger Out

Select the conditions to turn on the trigger out with respect to the input source, HDMI monitor, etc.
For details about the trigger out function, see page 14.

[Selectable items] **ON** **---**

Setting with Respect to the Input Source

When the input source set to on is selected, the trigger out turns on.

Setting with Respect to the Monitor

When the HDMI monitor set to on is selected, the trigger out turns on.

4 Dimmer

Adjust display brightness of the receiver.

[Selectable items] **Bright** **Dim** **Dark** **OFF**

Operating from the remote control unit

Press the **DIMMER** button.



5 Setup Lock

Protect settings from inadvertent change.

[Selectable items] **ON** **OFF**



- When “Setup Lock” is set to “ON”, the settings listed below can no longer be changed. Also, “SETUP LOCKED!” is displayed if you attempt to operate related buttons.
 - GUI menu operations
 - Resolution
 - Progressive Mode
 - Aspect
 - DNR
 - Status
- To cancel the setting, press the **SETUP** button to re-display the “Setup Lock” screen, then change the setting to “OFF”.

6 Maintenance Mode

This sets the function for maintenance by a DENON serviceperson or installer. (For professional use only.)

This function allows a DENON serviceperson or installer to check the DVP-602CI’s status and make settings via the Internet.

NOTE

Only use this function if so instructed by a DENON serviceperson or installer.

7 Firmware Update

Update the firmware of the receiver.

Check for Update

You can check for firmware updates. You can also check approximately how long it will take to complete an update.

Start

Execute the update process.

When updating starts, the power indicator becomes red and the GUI screen is shut down. The amount of update time which has elapsed is displayed.

When updating is complete the power indicator becomes green and normal status is resumed.

※ If the display reads as shown below, check the settings and network environment, then update again.

Display	Description
Updating failed	Updating failed.
Login failed	Failure to log into server.
Server is busy	Server is busy. Wait a while then try again.
Connection fail	Failure connecting to server.

8 Add New Feature

Display the new functions (payment required) which can be purchased for downloading to the DVP-602CI and upgrade.

When you purchase a new function and register your user information, "Registered" is displayed on this menu and you can proceed with the upgrade.

Upgrade

Execute the upgrade process.

When updating starts, the power indicator becomes red and the GUI screen is shut down. The amount of update time which has elapsed is displayed.

When updating is complete the power indicator becomes green and normal status is resumed.

※ If the upgrade is not successful, an error message identical to those in "Firmware Update" will appear on the display, check the settings and network environment, then update again.

Notes concerning use of "Firmware Update" and "Add New Feature"

- In order to use these functions, you must have the correct system requirements and settings for a broadband Internet connection.
- Do not turn off the power until updating/upgrading is completed.
- Even with a broadband connection to the Internet, approximately 1 hour is required for the updating/upgrading procedure to be completed.

Once updating/upgrading starts, normal operations on the DVP-602CI cannot be performed until updating/upgrading is completed.

Furthermore, updating/upgrading the firmware may reset the backup data for the parameters, etc., set for the DVP-602CI.



Information regarding the "Firmware Update" function and "Add New Feature" will be announced on the DENON web site each time related plans are defined.

Language

GUI



● Menu tree ●

Setup

Language

[Selectable items]

English Français (for North America model)

English Deutsch Français Italiano Español

Nederlands Svenska 日本語 (for European model)

Source Select

GUI



Use this procedure to select the input source and make the settings related to playing input sources.

Input Source Selection

● Menu tree ●

Source Select

HDMI 1

HDMI 2

HDMI 3

HDMI 4

HDMI 5

HDMI 6

COMP. 1

COMP. 2

S-VIDEO

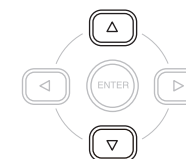
VIDEO



Operating from the main unit or remote control unit

[Operation on the main unit]

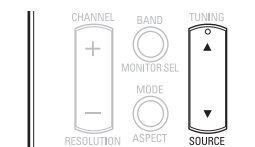
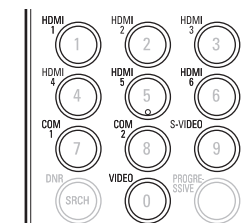
Press the Δ ∇ button.



[Operation on the remote control unit]

Press the **Direct source select** or **SOURCE** button.

The desired input source can be selected directly.



Settings Related to Playing Input Sources



Menu tree

Source Select

HDMI 1 ~ 6, COMP. 1/2, S-VIDEO, VIDEO

1 Video Setup

2 Optical

3 Rename

1 Video Setup

Setting the video source.

i/p Scaler

Make settings for i/p scaler function.

[Selectable items] **ON** **OFF** (HDMI 1 ~ 6)

ON **OFF** (COMP. 1 / 2 S-VIDEO, VIDEO)



- When "i/p Scaler" is "ON", the Deep Color (12 bit) signal is converted to 10 bit.
- When "i/p Scaler" is "ON", the i/p Scaler has no effect on the x.v.Color signal or computer resolution input.

Resolution

Make settings for resolution of HDMI video output signal (☞ page 27 "Resolution input/output conversion table").

[Selectable items] **Auto** **480p/576p** **1080i** **720p**
1080p **1080p/24** **VGA** **SVGA** **XGA**
WXGA **WXGA2** **SXGA**



Operating from the main unit or remote control unit

[Operation on the main unit]

Press the ◀ ▶ button.

[Operation on the remote control unit]

Press the **RESOLUTION** button.



- This can be set when "i/p Scaler" is set to "ON".
- To enjoy 1080p/24 Hz video images, use a monitor which supports 1080p/24 Hz video signals.
- With film source (24 Hz), you can enjoy a film-like image. It is recommended that you use 1080p/60 Hz for video source and mixed source.
- It is not possible to convert a 50 Hz signal to 1080p/24 Hz. It is output at a resolution of 1080p/50 Hz.
- It is not possible to convert a 1080p/60 Hz signal to 1080p/24 Hz.

Resolution	Pixel number configuration
VGA	640 × 480
SVGA	800 × 600
XGA	1024 × 768
WXGA	1280 × 768
WXGA2	1360 × 768
SXGA	1280 × 1024

Progressive Mode

Select optimum progressive mode for video material.

[Selectable items] **Auto** **Video1** **Video2**



Operating from the remote control unit

Press the **PROGRESSIVE** button.



This can be set when "i/p Scaler" is set to "ON".

Aspect

This sets the aspect ratio when outputting 480i/576i or 480p/576p input signals from the HDMI output connector.

[Selectable items] **Full** **Normal**



Operating from the remote control unit

Press the **ASPECT** button.



This can be set when "i/p Scaler" is set to "ON".

2 Optical

Select digital input connector to assign to this source.

[Input source] **HDMI 1 ~ 6** **COMPONENT 1 / 2**

S-VIDEO **VIDEO**

[Selectable items] **OPTICAL 1 / 2** **None**

Input source	HDMI 1	HDMI 2	HDMI 3	HDMI 4
Default setting	None	None	None	None

Input source	HDMI 5	HDMI 6	COMPONENT 1	COMPONENT 2
Default setting	None	None	OPTICAL 1	OPTICAL 2

Input source	S-VIDEO	VIDEO
Default setting	None	None

3 Rename

Change the display name for this source.

Names containing up to 8 characters can be input.

[Characters that can be input]

A ~ Z **a ~ z** **0 ~ 9** **! # % & ' () * + , - . / : ; < = " > ? @ [\] (space)**

Parameter



Audio

Adjust various audio parameters.



● Menu tree ●

Parameter

Audio Delay

Audio Delay

Compensate for mismatched timing between video and audio.

This sets the delay time for audio signals.

[Variable range] **0 ms** ~ **200 ms**



The adjustment range is 0 to 100 ms when the Auto Lip Sync Correction function is activated.

Picture Adjust

Adjust the picture quality.



● Menu tree ●

Parameter

Picture Adjust

- 1 Contrast
- 2 Brightness
- 3 Chroma Level
- 4 Hue
- 5 DNR
- 6 Enhancer
- 7 Sharpness

1 Contrast

Adjust picture contrast.

[Variable range] **-6** ~ **0** ~ **+6**

2 Brightness

Adjust picture brightness.

[Variable range] **0** ~ **+12**

3 Chroma Level

Adjust picture chroma level (saturation).

[Variable range] **-6** ~ **0** ~ **+6**

4 Hue

Adjust color hue.

[Variable range] **-6** ~ **0** ~ **+6**

5 DNR

Reduce overall picture noise.

[Selectable items] **OFF** **Low** **Middle** **High**



Operating from the remote control unit

Press the **DNR** button.



This function is not effective when the input signal is 1080p (60/50Hz).

6 Enhancer

Emphasize picture contours.

[Variable range] **0** ~ **+12**

7 Sharpness

Adjust picture definition.

[Variable range] **-6** ~ **0** ~ **+6**



The "Picture Adjust" setting is not effective when "i/p Scalar" is "OFF" and at the time of 480i/576i output.

Information

Status

Shows information about current settings.

- Menu tree
- Information
- Status

[Items to be checked] **Select Source** **Name** **Input Mode**
i/p Scaler **Resolution**

HDMI Information

Shows information about HDMI input/output signals and monitor.

- Menu tree
- Information
 - HDMI Information
 - 1 Signal Information
 - 2 Monitor 1
 - 3 Monitor 2

1 Signal Information

The HDMI input/output signal information is displayed.

[Items to be checked] **Resolution** **Color Space** **Pixel Depth**

2 Monitor 1

The HDMI monitor 1 information is displayed.

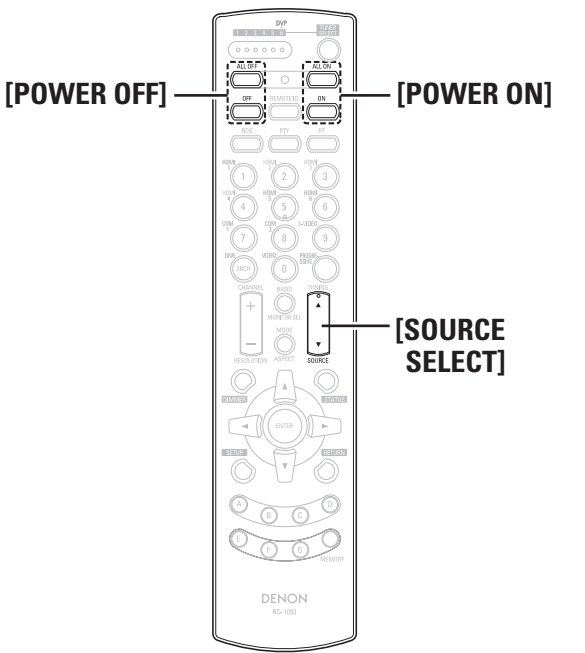
3 Monitor 2

The HDMI monitor 2 information is displayed.

[Items to be checked] **Interface** **Supported Resolution**



You can also check the status of the DVP-602CI by pressing the **STATUS** button on the remote control unit.



About the button names in these explanations
 < > : Buttons on the main unit
 [] : Buttons on the remote control unit
Button name only:
 Buttons on the main unit and remote control unit

Playback

Preparations

Turning the Power On

Press the **<ON/STANDBY>** or **[POWER ON]** button.
 The power indicator flashes green and the power turns on.

Turning the Power Off

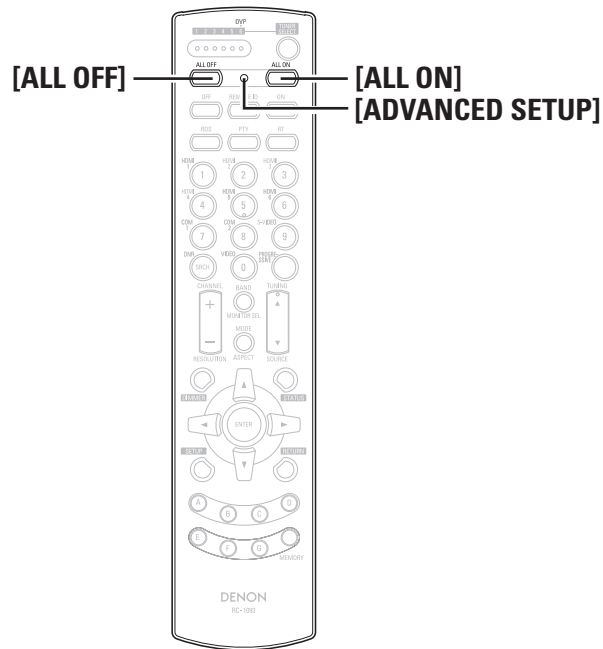
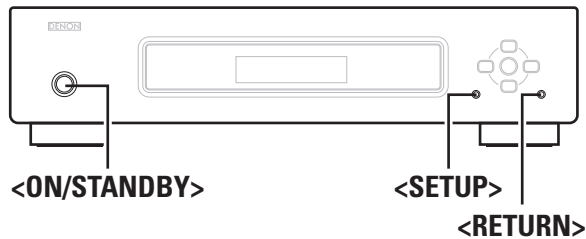
Press the **<ON/STANDBY>** or **[POWER OFF]** button.
 The power is set to the standby mode.

NOTE
 Power continues to be supplied to some of the circuitry even when the power is in the standby mode. When leaving home for long periods of time or when traveling, unplug the power cord from the power outlet.

Playing Video and Audio Equipment

Basic Operation

- 1 Prepare the equipment.**
 - Load the DVD, CD or other software in the player.
 (See the operating instructions of the respective devices.)
 - To play a video device, switch the monitor input.
 (See the monitor's operating instructions.)
- 2 Use the [SOURCE SELECT] button to select the input source.**
 [GUI] : "Source Select" (page 21, 22)
- 3 Start playback.**
 (See the operating instructions of the respective devices.)

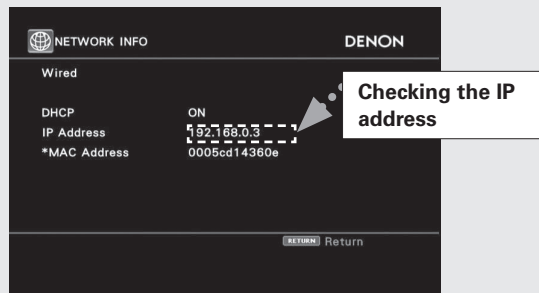


About the button names in these explanations
 < > : Buttons on the main unit
 [] : Buttons on the remote control unit
Button name only:
 Buttons on the main unit and remote control unit

Operating the DVP-602CI Using a Browser (Web control)

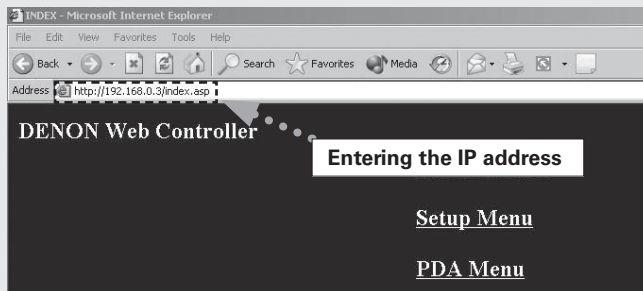
This function lets you operate the DVP-602CI using Internet Explorer.

- 1 Switch "OFF" the "Power Saving" setting under "Setup" - "Network Setup" on the GUI menu (Example: 1).
- 2 Check the DVP-602CI's IP address with "Setup" - "Network Setup" - "Network Information" on the GUI menu (Example: 2).

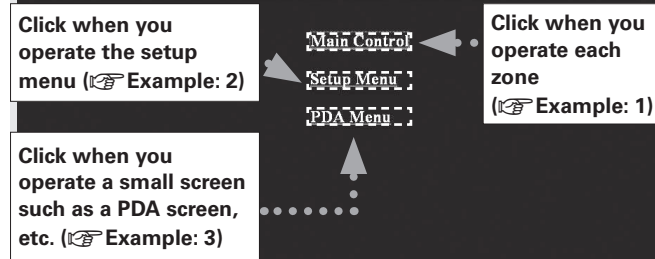


- 3 Enter the DVP-602CI IP address in Internet Explorer's address box.

For example, if the IP address of DVP-602CI is "192.168.000.003", enter "http://192.168.0.3".

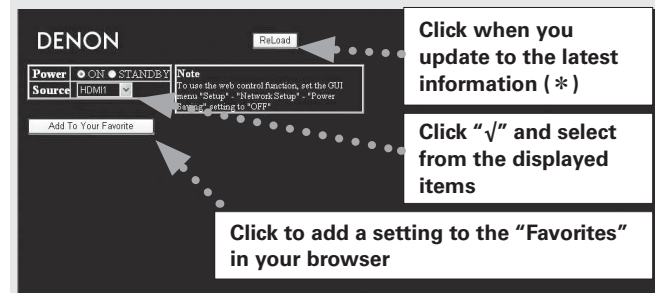


- 4 When the top menu is displayed, click on the menu you want to operate.



- 5 Operate.

[Example:1] Main Control Screen



*:Normally, there is a change to the latest information each time you operate. When operated from the main unit, click because the screen is not updated.

[Example:2] Setup Menu Screen

Click to determine a setting

After entering characters, click "Set" to set, or click "Def" to return to initial setting

Click the menu from which you want to make settings
The display on the right becomes each setting screen

Click "SAVE" when you want to save settings, and click "LOAD" when you want to call settings
Becomes each operation screen

Enter figures or click < > to make the setting, and then click "Set".

[Example:3] PDA menu screen

Select when performing main control

NOTE

You cannot change setup menu operations on the PDA menu screen.

NOTE

- To perform web control, you must connect a web control device such as a PC to the same network as the DVP-602CI.
- With web control, some network settings, etc., cannot be set.
- When updating firmware, settings made by the web controller may be reset.

Other Operations and Functions

Personal Memory Plus Function

This function sets the settings (input mode, etc.) last selected for the individual input sources. When you switch to an input source, the settings are automatically set to the ones that were set the last time that input source was used.

Last Function Memory

This stores the settings as they were directly before the standby mode was set. When the power is turned back on, the settings are restored to as they were directly before the standby mode was set.

Backup Memory

The various settings are backed up for about 1 week, even if the power is turned off or the power cord is disconnected.

Resetting the Microprocessor

Perform this procedure if the display is abnormal or if operations cannot be performed. When the microprocessor is reset, all the settings are reset to their default values.

- 1 Turn off the power using the <ON/STANDBY> button.
- 2 While pressing the <SETUP> and <RETURN> buttons, press the <ON/STANDBY> button for at least one second.
- 3 Once the display starts flashing at intervals of about 1 second, release the two buttons.



If in step 3 the display does not flash at intervals of about 1 second, start over from step 1.

Resetting the remote control unit

Resetting in case of wrong operation of the remote control, or when operation is impossible.

- 1 Hold down the [ALL OFF] button on the remote control unit and press the [ADVANCED SETUP] button with the tip of a pen.
The Transmission Indicator light blinks four times.
- 2 Hold down the [ALL ON] button on the remote control unit and press the [ADVANCED SETUP] button with the tip of a pen.
The Transmission Indicator (DVP) light blinks four times.

Other Information

HDMI (High-Definition Multimedia Interface)

HDMI is a digital interface standard for next generation TVs based on DVI (Digital Visual Interface) standards and optimized for use in consumer equipment.

Non-compressed digital video and multi-channel audio signals are transmitted with a single connection.

HDMI is also compatible with HDCP (High-bandwidth Digital Contents Protection), a technology for protecting copyrights that encrypts digital video signals in the same way as with DVI.

Deep Color

Eliminates on-screen color banding, for smooth tonal transitions and subtle gradations between colors.

Enables increased contrast ratio.

Can represent many times more shades of gray between black and white.

At 30-bit pixel depth, a four times improvement would be the minimum, and the typical improvement would be eight times or more.

x.v.Color

Next-generation "x.v.Color" color space supports 1.8 times as many colors as existing HDTV signals.

Lets HDTVs display colors more accurately.

Enables displays with natural, vivid colors.

"x.v.Color" is trademark of Sony Corporation.

Lip Sync

Because consumer electronics devices are using increasingly complex digital signal processing to enhance the clarity and detail of the content, synchronization of video and audio in user devices has become a greater challenge and could potentially require complex end-user adjustments. HDMI 1.3 incorporates an automatic video/audio synching capability that allows devices to perform this synchronization automatically with total accuracy.

"HDMI", "HDMI logo" and "High-Definition Multimedia Interface" are trademarks or registered trademarks of HDMI Licensing LLC.

Resolution input/output conversion table

Input Formats	MONITOR OUT										
	Resolution Setup										
	480p/576p	720p	1080i	1080p	1080p/24	VGA	SVGA	XGA	WXGA	WXGA2	SXGA
VIDEO/S-VIDEO											
480i	480p	720p/60Hz	1080i/60Hz	1080p/60Hz	1080p/24Hz	VGA	SVGA	XGA	WXGA	WXGA2	SXGA
576i	576p	720p/50Hz	1080i/50Hz	1080p/50Hz	1080p/50Hz	VGA	SVGA	XGA	WXGA	WXGA2	SXGA
Component											
480i	480p	720p/60Hz	1080i/60Hz	1080p/60Hz	1080p/24Hz	VGA	SVGA	XGA	WXGA	WXGA2	SXGA
480p	480p	720p/60Hz	1080i/60Hz	1080p/60Hz	1080p/24Hz	VGA	SVGA	XGA	WXGA	WXGA2	SXGA
720p/60Hz	480p	720p/60Hz	1080i/60Hz	1080p/60Hz	1080p/24Hz	VGA	SVGA	XGA	WXGA	WXGA2	SXGA
1080i/60Hz	480p	720p/60Hz	1080i/60Hz	1080p/60Hz	1080p/24Hz	VGA	SVGA	XGA	WXGA	WXGA2	SXGA
576i	576p	720p/50Hz	1080i/50Hz	1080p/50Hz	1080p/50Hz	VGA	SVGA	XGA	WXGA	WXGA2	SXGA
576p	576p	720p/50Hz	1080i/50Hz	1080p/50Hz	1080p/50Hz	VGA	SVGA	XGA	WXGA	WXGA2	SXGA
720p/50Hz	576p	720p/50Hz	1080i/50Hz	1080p/50Hz	1080p/50Hz	VGA	SVGA	XGA	WXGA	WXGA2	SXGA
1080i/50Hz	576p	720p/50Hz	1080i/50Hz	1080p/50Hz	1080p/50Hz	VGA	SVGA	XGA	WXGA	WXGA2	SXGA
HDMI											
480i	480p	720p/60Hz	1080i/60Hz	1080p/60Hz	1080p/24Hz	VGA	SVGA	XGA	WXGA	WXGA2	SXGA
480p	480p	720p/60Hz	1080i/60Hz	1080p/60Hz	1080p/24Hz	VGA	SVGA	XGA	WXGA	WXGA2	SXGA
720p/60Hz	480p	720p/60Hz	1080i/60Hz	1080p/60Hz	1080p/24Hz	VGA	SVGA	XGA	WXGA	WXGA2	SXGA
1080i/60Hz	480p	720p/60Hz	1080i/60Hz	1080p/60Hz	1080p/24Hz	VGA	SVGA	XGA	WXGA	WXGA2	SXGA
1080p/60Hz	480p	720p/60Hz	1080i/60Hz	1080p/60Hz	1080p/60Hz	VGA	SVGA	XGA	WXGA	WXGA2	SXGA
1080p/24Hz	480p	720p/60Hz	1080i/60Hz	1080p/60Hz	1080p/24Hz	VGA	SVGA	XGA	WXGA	WXGA2	SXGA
576i	576p	720p/50Hz	1080i/50Hz	1080p/50Hz	1080p/50Hz	VGA	SVGA	XGA	WXGA	WXGA2	SXGA
576p	576p	720p/50Hz	1080i/50Hz	1080p/50Hz	1080p/50Hz	VGA	SVGA	XGA	WXGA	WXGA2	SXGA
720p/50Hz	576p	720p/50Hz	1080i/50Hz	1080p/50Hz	1080p/50Hz	VGA	SVGA	XGA	WXGA	WXGA2	SXGA
1080i/50Hz	576p	720p/50Hz	1080i/50Hz	1080p/50Hz	1080p/50Hz	VGA	SVGA	XGA	WXGA	WXGA2	SXGA
1080p/50Hz	576p	720p/50Hz	1080i/50Hz	1080p/50Hz	1080p/50Hz	VGA	SVGA	XGA	WXGA	WXGA2	SXGA

Troubleshooting

If a problem should arise, first check the following:

1. Are the connections correct?
2. Is the set being operated as described in the owner's manual?
3. Are the other components operating properly?

If this unit does not operate properly, check the items listed in the table below. Should the problem persist, there may be a malfunction.

In this case, disconnect the power immediately and contact your store of purchase.

[General]

Symptom	Cause	Countermeasure	Page
Power does not turn on, or turns off directly after it was turned on.	<ul style="list-style-type: none"> • Connection of the power cord is faulty. 	<ul style="list-style-type: none"> • Check that the power plugs are securely inserted into the DVP-602CI's AC inlet and the wall power outlet. 	14
Display is off.	<ul style="list-style-type: none"> • The "Dimmer" setting is set to "OFF". 	<ul style="list-style-type: none"> • Set to something other than "OFF". 	20
Power turns off suddenly and power indicator flashes red.	<ul style="list-style-type: none"> • Set is damaged. 	<ul style="list-style-type: none"> • Turn off the power and contact a DENON service center. 	–

[Remote Control Unit]

Symptom	Cause	Countermeasure	Page
Set does not work properly when remote control unit operated.	<ul style="list-style-type: none"> • Batteries are worn. 	<ul style="list-style-type: none"> • Replace with new batteries. 	3
	<ul style="list-style-type: none"> • You are operating outside of the specified range. 	<ul style="list-style-type: none"> • Operate within the specified range. 	3
	<ul style="list-style-type: none"> • Obstacle between main unit and remote control unit. 	<ul style="list-style-type: none"> • Remove the obstacle. 	3
	<ul style="list-style-type: none"> • The batteries are not inserted in the proper direction, as indicated by the polarity marks in the battery compartment. 	<ul style="list-style-type: none"> • Insert the batteries in the proper direction, following the polarity marks in the battery compartment. 	3
	<ul style="list-style-type: none"> • The remote control unit is not set for use with the DVP-602CI. 	<ul style="list-style-type: none"> • Reset the remote control unit. 	26

[Audio]

Symptom	Cause	Countermeasure	Page
No sound is output from the monitor or AV amplifier connected with HDMI connections.	<ul style="list-style-type: none"> • The player's OPTICAL output is not set to a sound format supported by the TV. 	<ul style="list-style-type: none"> • Set the player's OPTICAL output to a sound format (PCM) supported by the TV. 	–
	<ul style="list-style-type: none"> • The DVP-602CI's "Resolution" is set to 480p/576p, VGA, SVGA, XGA. 	<ul style="list-style-type: none"> • Change the "Resolution" to a setting other than 480p/576p, VGA, SVGA, XGA. 	22, 27
	<ul style="list-style-type: none"> • The DVP-602CI's "Optical" setting is wrong. 	<ul style="list-style-type: none"> • Match the "Optical" setting to the input terminal. 	22

[Video]

Symptom	Cause	Countermeasure	Page
The on-screen display does not appear.	<ul style="list-style-type: none"> • The format of the GUI and TV (NTSC or PAL) do not match. 	<ul style="list-style-type: none"> • Match the format of the GUI and TV. 	20
No picture appears.	<ul style="list-style-type: none"> • The connections between the DVP-602CI and monitor are faulty. 	<ul style="list-style-type: none"> • Check the connections. 	9 ~ 12
	<ul style="list-style-type: none"> • The monitor's input setting is wrong. 	<ul style="list-style-type: none"> • Set properly. 	–
No picture appears with HDMI connections.	<ul style="list-style-type: none"> • The connections to the HDMI connectors are faulty. 	<ul style="list-style-type: none"> • Check the connections. 	9 ~ 12
	<ul style="list-style-type: none"> • The monitor is not compatible with copyright protection (HDCP). 	<ul style="list-style-type: none"> • Connect a monitor that is compatible with copyright protection (HDCP). 	9
	<ul style="list-style-type: none"> • The HDMI format of the player and monitor do not match. 	<ul style="list-style-type: none"> • Match the HDMI format of the player and monitor. 	–

[Network]

Symptom	Cause	Countermeasure	Page
Server is not found, or it is not possible to connect to the server.	<ul style="list-style-type: none"> • The computer's or router's firewall is activated. 	<ul style="list-style-type: none"> • Check the computer's or router's firewall settings. 	–
	<ul style="list-style-type: none"> • Computer's power is not turned on. 	<ul style="list-style-type: none"> • Turn on the power. 	–
	<ul style="list-style-type: none"> • Server is not running. 	<ul style="list-style-type: none"> • Launch the server. 	–
	<ul style="list-style-type: none"> • Set's IP address is wrong. 	<ul style="list-style-type: none"> • Check the set's IP address. 	19

Specifications

General

Power supply:	North America model : AC 120 V, 60 Hz European model : AC 230 V, 50 Hz
Power consumption:	North America model : 90 W European model : 90 W 0.3 W (Standby)
Maximum external dimensions:	434 (W) x 107 (H) x 280 (D) mm (17-3/32" x 4-7/32" x 11-1/32")
Weight:	4.2 kg (9 lbs 4 oz)

Remote control unit (RC-1093)

Batteries:	R03/AAA Type (two batteries)
Maximum external dimensions:	49 (W) x 220 (H) x 24.5 (D) mm (1-59/64" x 8-21/32" x 31/32")
Weight:	114 g (Approx 4 oz) (including batteries)

※ For purposes of improvement, specifications and design are subject to change without notice.

DENON

www.denon.com

Denon Brand Company, D&M Holdings Inc.
Printed in Japan 00D 511 4750 005